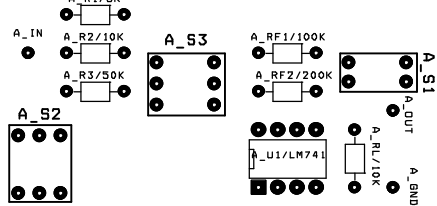
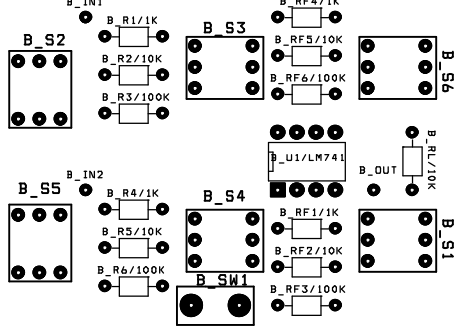


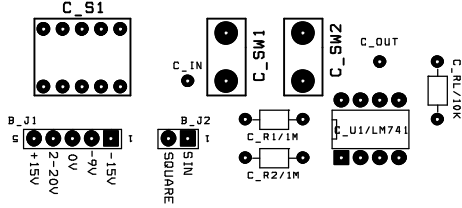
INVERTING/ADDER



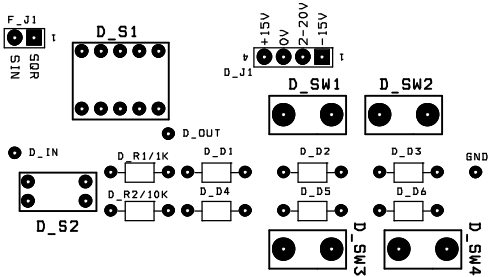
NON INVERTING/DIFFERENTIAL



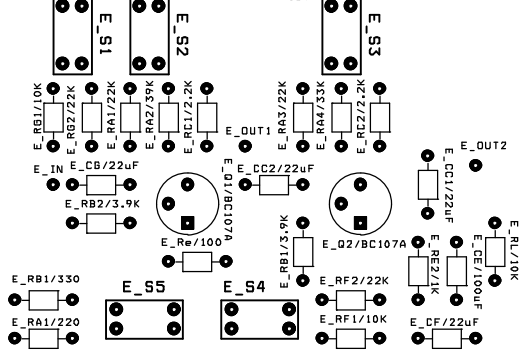
BUFFER/COMPARATOR



DIODES



AMPLIFIER OF TWO RUNGS



SWITCH MOSFET

