

Parts list

F01_004

| Device Designation Schematic / position | Quantity | Designation | Type number Order number | Manufacturer Supplier | Part number Function text | Pos |
|--|----------|---|--------------------------------|--------------------------|---|-----|
| F12 +Schematic/7.1 | 1 | Miniature Circuit Breaker (MCB) AMPARO 6kA, C 6A, 1-pole | AM617106 AM617106 | SCHRACK SCHRACK | AM617106 | |
| F13 +Schematic/8.1 | 1 | Miniature Circuit Breaker (MCB) AMPARO 6kA, C 10A, 1-pole | AM617110 AM617110 | SCHRACK SCHRACK | AM617110 | |
| F14 +Schematic/8.6 | 1 | Miniature Circuit Breaker (MCB) AMPARO 6kA, C 10A, 1-pole | AM617110 AM617110 | SCHRACK SCHRACK | AM617110 | |
| F15 +Schematic/9.1 | 1 | Miniature Circuit Breaker (MCB) AMPARO 6kA, C 10A, 3-pole | AM617310-- AM617310-- | SCHR SCHR | SCHR.AM617310-- | |
| F16 +Schematic/9.2 | 1 | Miniature Circuit Breaker (MCB) AMPARO 6kA, C 10A, 2-pole | AM617210 AM617210 | SCHRACK SCHRACK | AM617210 | |
| F17 +Schematic/9.5 | 1 | Miniature Circuit Breaker (MCB) AMPARO 6kA, C 10A, 2-pole | AM617210 AM617210 | SCHRACK SCHRACK | AM617210 | |
| F18 +Schematic/9.6 | 1 | Miniature Circuit Breaker (MCB) AMPARO 6kA, C 10A, 2-pole | AM617210 AM617210 | SCHRACK SCHRACK | AM617210 | |
| F19 +Schematic/10.3 | 1 | Miniature Circuit Breaker (MCB) AMPARO 6kA, C 6A, 1-pole | AM617106 AM617106 | SCHRACK SCHRACK | AM617106 CPU & AQ | |
| F21 +Schematic/10.5 | 1 | Miniature Circuit Breaker (MCB) AMPARO 6kA, C 6A, 1-pole | AM617106 AM617106 | SCHRACK SCHRACK | AM617106 RUT955 | |
| F30 +Schematic/10.1 | 1 | Miniature Circuit Breaker (MCB) AMPARO 6kA, C 6A, 1-pole | AM617106 AM617106 | SCHRACK SCHRACK | AM617106 Βοηθητικό Κύκλωμα | |
| F31 +Schematic/10.2 | 1 | Miniature Circuit Breaker (MCB) AMPARO 6kA, C 6A, 1-pole | AM617106 AM617106 | SCHRACK SCHRACK | AM617106 PIC | |
| F32 +Schematic/10.6 | 1 | Miniature Circuit Breaker (MCB) AMPARO 6kA, C 6A, 1-pole | AM617106 AM617106 | SCHRACK SCHRACK | AM617106 Βοηθ. Κύκλωμα Inv1 και Inv2 | |
| F40 +Schematic/5.2 | 1 | Miniature Circuit Breaker (MCB) AMPARO 6kA, C 20A, 3-pole | AM617320 AM617320 | SCHRACK SCHRACK | AM617320 | |
| FA1 +Schematic/20.2 | 1 | Arrester for Control Wires,max. 24Vdc/1A, Class 3 (D) | IS212424 IS212424 | SCHRACK SCHRACK | IS212424 | |
| H1 +Schematic/3.2 | 1 | Yellow indicator light 230VAC | 022-013230100 022-013230100 | ELLICOM ELLICOM | 022-013230100 | |
| H2 +Schematic/3.2 | 1 | Yellow indicator light 230VAC | 022-013230100 022-013230100 | ELLICOM ELLICOM | 022-013230100 | |
| H3 +Schematic/3.3 | 1 | Yellow indicator light 230VAC | 022-013230100 022-013230100 | ELLICOM ELLICOM | 022-013230100 | |
| H4 +Schematic/13.5 | 1 | Green and Red indicator light (two colours) 230VAC | 022-016230100 022-016230100 | ELLICOM ELLICOM | 022-016230100 | |
| H5 +Schematic/13.6 | 1 | Green and Red indicator light (two colours) 230VAC | 022-016230100 022-016230100 | ELLICOM ELLICOM | 022-016230100 | |

1

1.b

| | | | | | | | |
|--------------|-----------------------------|------|---------------------------------------|---------------------|-------------|------------|-------------------------|
| Date | 08-Dec-21 | . . | Parts list : AM617106 - 022-016230100 | = AP1 + Partlist | | | |
| Ed | Dell | | | | | | |
| Appr | ANTΛΙΟΣΤΑΣΙΟ ΛΥΜΑΤΩΝ (ΤΣΕ1) | | | | | | |
| Modification | Date | Name | Original | Replacement of | Replaced by | DREAM TEAM | Page 1.a Page 3 / 42 |

Parts list

F01_004

| Device Designation Schematic / position | Quantity | Designation | Type number Order number | Manufacturer Supplier | Part number Function text | Pos |
|--|------------|---|------------------------------------|--------------------------|------------------------------|-----|
| H16 +Schematic/1.4 | 1 | Green indicator light 230VAC | AD22-22G AD22-22G | ELLICOM ELLICOM | AD22-22G | |
| H17 +Schematic/1.7 | 1 Piece | Red indicator light 230VAC | AD22-22R AD22-22R | ELLICOM ELLICOM | AD22-22R | |
| I1 +Schematic/1.1 | 1 | Current transformer 50/5A | DX30050 DX30050 | DIXSEN DIXSEN | DX30050 | |
| I2 +Schematic/1.1 | 1 | Current transformer 50/5A | DX30050 DX30050 | DIXSEN DIXSEN | DX30050 | |
| I3 +Schematic/1.1 | 1 | Current transformer 50/5A | DX30050 DX30050 | DIXSEN DIXSEN | DX30050 | |
| INV1 +Schematic/4.1 | 1 | Inverter Delta MS-300 series 2,2KW/3HP/5,5A | VFD5A5MS43AFSAA VFD5A5MS43AFSAA | DELTA DELTA | VFD5A5MS43AFSAA | |
| INV2 +Schematic/4.4 | 1 | Inverter Delta MS-300 series 2,2KW/3HP/5,5A | VFD5A5MS43AFSAA VFD5A5MS43AFSAA | DELTA DELTA | VFD5A5MS43AFSAA | |
| JR1 +Schematic/8.2 | 1 | Thermal resistor 60W/230VAC/2,5A | 301-001590230 301-001590230 | ELLICOM ELLICOM | 301-001590230 | |
| K11 +Schematic/1.1 | 1 | 4-pole contactor, 32A/AC-1, coil 230VAC + 1 NC | LTR13243 LTR13243 | SCHRACK SCHRACK | LTR13243 | |
| K11 +Schematic/1.1 | 1 | Auxiliary contact for contactor size 0-1, 2 NO 2 NC | LTZ0D222 LTZ0D222 | SCHRACK SCHRACK | LTZ0D222 | |
| K12 +Schematic/1.4 | 1 | 4-pole contactor, 32A/AC-1, coil 230VAC + 1 NC | LTR13243 LTR13243 | SCHRACK SCHRACK | LTR13243 | |
| K12 +Schematic/1.4 | 1 | Auxiliary contact for contactor size 0-1, 2 NO 2 NC | LTZ0D222 LTZ0D222 | SCHRACK SCHRACK | LTZ0D222 | |
| LH +Schematic/8.3 | 1 | Panel light with switch 6W | 013-600600000 013-600600000 | ELLICOM ELLICOM | 013-600600000 | |
| LV1 +Schematic/7.0 | 1 | Level control | WLCA2M1-CE WLCA2M1-CE | SELEC SELEC | WLCA2M1-CE | |
| LV2 +Schematic/7.4 | 1 | Level control | WLCA2M1-CE WLCA2M1-CE | SELEC SELEC | WLCA2M1-CE | |
| M1 +Schematic/4.1 | 0 | | | | | |
| M2 +Schematic/4.4 | 0 | | | | | |
| MP1 +Schematic/8.6 | 1 | Panel Socket | MSC-CE MSC-CE | ELLICOM ELLICOM | MSC-CE | |
| MP3 +Schematic/6.4 | 1 | Panel Socket | MSC-CE MSC-CE | ELLICOM ELLICOM | MSC-CE | |

1.a

1.c

| | | | | | | | | | |
|--------------|------|-----------|----------|-----------------------------|-------------|--------------------------------|--|------------|--------|
| Date | | 09-Dec-21 | | . . | | Parts list : AD22-22G - MSC-CE | | = AP1 | |
| Ed | | Dell | | . . | | | | + Partlist | |
| Appr | | | | ΑΝΤΑΙΟΣΤΑΣΙΟ ΛΥΜΑΤΩΝ (ΤΣΕ1) | | | | DREAM TEAM | |
| Modification | Date | Name | Original | Replacement of | Replaced by | | | Page | 1.b |
| | | | | | | | | Page | 4 / 42 |

Parts list

F01_004

| Device Designation Schematic / position | Quantity | Designation | Type number Order number | Manufacturer Supplier | Part number Function text | Pos |
|--|------------|---|--|--------------------------|------------------------------|-----|
| MS1 +Schematic/1.3 | 1 | Mechanical interlock for contactors size 1 | LTZ1W001 LTZ1W001 | SCHRACK SCHRACK | LTZ1W001 | |
| OVR +Schematic/1.0 | 4 | Vartec T2, Base 1pol. for varistor-module, VVM | ISO10310 ISO10310 | SCHRACK SCHRACK | ISO10310 | |
| OVR +Schematic/1.0 | 4 | Vartec Varistormodule TII, VVM - 255V/15kA | ISO10351 ISO10351 | SCHRACK SCHRACK | ISO10351 | |
| OVR1 +Schematic/9.3 | 3 | Vartec T2, Base 1pol. for varistor-module, VVM | ISO10310 ISO10310 | SCHRACK SCHRACK | ISO10310 | |
| OVR1 +Schematic/9.3 | 3 | Vartec Varistormodule TII, VVM - 255V/15kA | ISO10351 ISO10351 | SCHRACK SCHRACK | ISO10351 | |
| PIC +Schematic/20.1 | 1 | Process Indicator with Retransmission and 2 Alarm Output | PIC152A-VI PIC152A-VI | SELEC SELEC | PIC152A-VI | |
| PSU +Schematic/9.1 | 1 | SITOP PSU300S 24 V/10 A Power supply SITOP smart | 6EP1434-2BA20 6EP1434-2BA20 | SIE SIE | SIE.6EP1434-2BA20 | |
| Q1 +Schematic/4.1 | 1 | Motor Protection Circuit Breaker CUBICO BE2, 3-pole, 6-10A | BE201000 BE201000 | SCHRACK SCHRACK | BE201000 | |
| Q1 +Schematic/4.1 | 1 | Auxiliary contact, front-mounting for CUBICO BE2 | BE2ZAF11 BE2ZAF11 | SCHRACK SCHRACK | BE2ZAF11 | |
| Q2 +Schematic/4.4 | 1 | Motor Protection Circuit Breaker CUBICO BE2, 3-pole, 6-10A | BE201000 BE201000 | SCHRACK SCHRACK | BE201000 | |
| Q2 +Schematic/4.4 | 1 | Auxiliary contact, front-mounting for CUBICO BE2 | BE2ZAF11 BE2ZAF11 | SCHRACK SCHRACK | BE2ZAF11 | |
| Q3 +Schematic/5.2 | 1 piece | RCCB AMPARO 10kA, 40A, 4-pole, 30mA | AR004103-- AR004103-- | SCHR SCHR | SCHR.AR004103-- | |
| Q10 +Schematic/2.2 | 1 | Miniature Circuit Breaker (MCB) AMPARO 6kA, C 16A, 3+N | AM617816-- AM617816-- | SCHR SCHR | SCHR.AM617816-- | |
| Q11 +Schematic/1.1 | 1 | MCCB_IEC_FS160_25A_4P_25KA_TM_FTFM SENTRON Molded case circuit breaker | 3VA1125-3ED46-0AA0 3VA1125-3ED46-0AA0 | SIE SIE | SIE.3VA1125-3ED46-0AA0 | |
| Q12 +Schematic/1.4 | 1 | MCCB_IEC_FS160_25A_4P_25KA_TM_FTFM SENTRON Molded case circuit breaker | 3VA1125-3ED46-0AA0 3VA1125-3ED46-0AA0 | SIE SIE | SIE.3VA1125-3ED46-0AA0 | |
| Q13 +Schematic/2.4 | 1 | Miniature Circuit Breaker (MCB) AMPARO 6kA, C 40A, 2-pole | AM617240-- AM617240-- | SCHR SCHR | SCHR.AM617240-- | |
| R.SRN +Schematic/17.4 | 1 | PCB Relay 2c/o-8A , A1-A2=24VDC | RT424024 RT424024 | SCHRACK SCHRACK | RT424024 | |
| R.SRN +Schematic/17.4 | 1 | Microrelay Base 2C/O | YRT78626 YRT78626 | SCHRACK SCHRACK | YRT78626 | |
| R.SRN +Schematic/17.4 | 1 | Green Led 24V DC PCD | YMLGA024 YMLGA024 | SCHRACK SCHRACK | YMLGA024 | |

1.b

1.d

| | | | | | | | | | |
|--------------|------|-----------|----------|-----------------------------|-------------|----------------------------------|--|------------|--------|
| Date | | 16-Dec-21 | | . . | | Parts list : LTZ1W001 - YMLGA024 | | = AP1 | |
| Ed | | Dell | | . . | | | | + Partlist | |
| Appr | | | | ΑΝΤΑΙΟΣΤΑΣΙΟ ΛΥΜΑΤΩΝ (ΤΣΕ1) | | | | DREAM TEAM | |
| Modification | Date | Name | Original | Replacement of | Replaced by | | | Page | 1.c |
| | | | | | | | | Page | 5 / 42 |

Parts list

F01_004

| Device Designation Schematic / position | Quantity | Designation | Type number Order number | Manufacturer Supplier | Part number Function text | Pos |
|--|----------|---------------------------------|-----------------------------|--------------------------|------------------------------|-----|
| R1 +Schematic/17.2 | 1 | PCB Relay 2c/o-8A , A1-A2=24VDC | RT424024 RT424024 | SCHRACK SCHRACK | RT424024 | |
| R1 +Schematic/17.2 | 1 | Microrelay Base 2C/O | YRT78626 YRT78626 | SCHRACK SCHRACK | YRT78626 | |
| R1 +Schematic/17.2 | 1 | Green Led 24V DC PCD | YMLGA024 YMLGA024 | SCHRACK SCHRACK | YMLGA024 | |
| R2 +Schematic/17.3 | 1 | PCB Relay 2c/o-8A , A1-A2=24VDC | RT424024 RT424024 | SCHRACK SCHRACK | RT424024 | |
| R2 +Schematic/17.3 | 1 | Microrelay Base 2C/O | YRT78626 YRT78626 | SCHRACK SCHRACK | YRT78626 | |
| R2 +Schematic/17.3 | 1 | Green Led 24V DC PCD | YMLGA024 YMLGA024 | SCHRACK SCHRACK | YMLGA024 | |
| R5 +Schematic/17.5 | 1 | PCB Relay 2c/o-8A , A1-A2=24VDC | RT424024 RT424024 | SCHRACK SCHRACK | RT424024 | |
| R5 +Schematic/17.5 | 1 | Microrelay Base 2C/O | YRT78626 YRT78626 | SCHRACK SCHRACK | YRT78626 | |
| R5 +Schematic/17.5 | 1 | Green Led 24V DC PCD | YMLGA024 YMLGA024 | SCHRACK SCHRACK | YMLGA024 | |
| R6 +Schematic/17.5 | 1 | PCB Relay 2c/o-8A , A1-A2=24VDC | RT424024 RT424024 | SCHRACK SCHRACK | RT424024 | |
| R6 +Schematic/17.5 | 1 | Microrelay Base 2C/O | YRT78626 YRT78626 | SCHRACK SCHRACK | YRT78626 | |
| R6 +Schematic/17.5 | 1 | Green Led 24V DC PCD | YMLGA024 YMLGA024 | SCHRACK SCHRACK | YMLGA024 | |
| R7 +Schematic/17.6 | 1 | PCB Relay 2c/o-8A , A1-A2=24VDC | RT424024 RT424024 | SCHRACK SCHRACK | RT424024 | |
| R7 +Schematic/17.6 | 1 | Microrelay Base 2C/O | YRT78626 YRT78626 | SCHRACK SCHRACK | YRT78626 | |
| R7 +Schematic/17.6 | 1 | Green Led 24V DC PCD | YMLGA024 YMLGA024 | SCHRACK SCHRACK | YMLGA024 | |
| R8 +Schematic/17.6 | 1 | PCB Relay 2c/o-8A , A1-A2=24VDC | RT424024 RT424024 | SCHRACK SCHRACK | RT424024 | |
| R8 +Schematic/17.6 | 1 | Microrelay Base 2C/O | YRT78626 YRT78626 | SCHRACK SCHRACK | YRT78626 | |
| R8 +Schematic/17.6 | 1 | Green Led 24V DC PCD | YMLGA024 YMLGA024 | SCHRACK SCHRACK | YMLGA024 | |
| R20 +Schematic/11.7 | 1 | PCB Relay 2c/o-8A , A1-A2=24VDC | RT424024 RT424024 | SCHRACK SCHRACK | RT424024 | |

1.c

1.e

| | | | | |
|-----------------------------|-----------|----------------|----------------------------------|---------------------|
| Date | 28-Jan-22 | . . | Parts list : RT424024 - RT424024 | = AP1 + Partlist |
| Ed | Dell | | | |
| Appr | | | | |
| ANTΛΙΟΣΤΑΣΙΟ ΛΥΜΑΤΩΝ (ΤΣΕ1) | | Replacement of | Replaced by | DREAM TEAM |
| Modification | Date | | | |

Parts list

F01_004

| Device Designation Schematic / position | Quantity | Designation | Type number Order number | Manufacturer Supplier | Part number Function text | Pos |
|--|----------|--------------------------------------|-----------------------------|--------------------------|------------------------------|-----|
| R20 +Schematic/11.7 | 1 | Microrelay Base 2C/O | YRT78626 YRT78626 | SCHRACK SCHRACK | YRT78626 | |
| R20 +Schematic/11.7 | 1 | Green Led 24V DC PCD | YMLGA024 YMLGA024 | SCHRACK SCHRACK | YMLGA024 | |
| R21 +Schematic/11.6 | 1 | PCB Relay 2c/o-8A , A1-A2=24VDC | RT424024 RT424024 | SCHRACK SCHRACK | RT424024 | |
| R21 +Schematic/11.6 | 1 | Microrelay Base 2C/O | YRT78626 YRT78626 | SCHRACK SCHRACK | YRT78626 | |
| R21 +Schematic/11.6 | 1 | Green Led 24V DC PCD | YMLGA024 YMLGA024 | SCHRACK SCHRACK | YMLGA024 | |
| R22 +Schematic/12.7 | 1 | PCB Relay 2c/o-8A , A1-A2=24VDC | RT424024 RT424024 | SCHRACK SCHRACK | RT424024 | |
| R22 +Schematic/12.7 | 1 | Microrelay Base 2C/O | YRT78626 YRT78626 | SCHRACK SCHRACK | YRT78626 | |
| R22 +Schematic/12.7 | 1 | Green Led 24V DC PCD | YMLGA024 YMLGA024 | SCHRACK SCHRACK | YMLGA024 | |
| R23 +Schematic/12.6 | 1 | PCB Relay 2c/o-8A , A1-A2=24VDC | RT424024 RT424024 | SCHRACK SCHRACK | RT424024 | |
| R23 +Schematic/12.6 | 1 | Microrelay Base 2C/O | YRT78626 YRT78626 | SCHRACK SCHRACK | YRT78626 | |
| R23 +Schematic/12.6 | 1 | Green Led 24V DC PCD | YMLGA024 YMLGA024 | SCHRACK SCHRACK | YMLGA024 | |
| R30 +Schematic/13.7 | 1 | PCB relay 2c/o-8A , A1-A2=230VAC | RT424730 RT424730 | SCHRACK SCHRACK | RT424730 | |
| R30 +Schematic/13.7 | 1 | Microrelay Base 2C/O | YRT78626 YRT78626 | SCHRACK SCHRACK | YRT78626 | |
| R30 +Schematic/13.7 | 1 | Red Led 230VAC PCB | YMLRW230 YMLRW230 | SCHRACK SCHRACK | YMLRW230 | |
| R31 +Schematic/13.8 | 1 | PCB relay 2c/o-8A , A1-A2=230VAC | RT424730 RT424730 | SCHRACK SCHRACK | RT424730 | |
| R31 +Schematic/13.8 | 1 | Microrelay Base 2C/O | YRT78626 YRT78626 | SCHRACK SCHRACK | YRT78626 | |
| R31 +Schematic/13.8 | 1 | Red Led 230VAC PCB | YMLRW230 YMLRW230 | SCHRACK SCHRACK | YMLRW230 | |
| RUT955 +Schematic/15.1 | 1 | Wireless 4G Mobile Router Wi-Fi 5 | RUT955 RUT955 | TELTONIKA TELTONIKA | RUT955 | |
| R_LV1 +Schematic/7.3 | 1 | Plug in relay 14pin 4C/O 230VAC | PT570730 PT570730 | SCHRACK SCHRACK | PT570730 | |

1.d

1.f

| | | | | | | | | | | | |
|--------------|--|------|------|----------|----------------|-------------|----------------------------------|---------------------|------------|------|--------|
| Modification | | Date | Name | Original | Replacement of | Replaced by | Parts list : YRT78626 - PT570730 | = AP1 + Partlist | DREAM TEAM | Page | 1.e |
| | | | | | | | | | | Page | 7 / 42 |

ANTΛIOΣTACIIO AYMATΩN (TCE1)

Parts list

F01_004

| Device Designation Schematic / position | Quantity | Designation | Type number Order number | Manufacturer Supplier | Part number Function text | Pos |
|--|----------|--|--------------------------------|--------------------------|------------------------------|-----|
| R_LV1 +Schematic/7.3 | 1 | Socket for PT relay with terminals 14-pole | YPT78704 YPT78704 | SCHRACK SCHRACK | YPT78704 | |
| R_LV1 +Schematic/7.3 | 1 | Red Led 230VAC PCB | YMLRW230 YMLRW230 | SCHRACK SCHRACK | YMLRW230 | |
| R_LV2 +Schematic/7.7 | 1 | Plug in relay 14pin 4C/O 230VAC | PT570730 PT570730 | SCHRACK SCHRACK | PT570730 | |
| R_LV2 +Schematic/7.7 | 1 | Socket for PT relay with terminals 14-pole | YPT78704 YPT78704 | SCHRACK SCHRACK | YPT78704 | |
| R_LV2 +Schematic/7.7 | 1 | Red Led 230VAC PCB | YMLRW230 YMLRW230 | SCHRACK SCHRACK | YMLRW230 | |
| R_M1 +Schematic/13.1 | 1 | Plug in Relay 14 pin 4 C/O 24VDC 6A | PT570024 PT570024 | SCHRACK SCHRACK | PT570024 | |
| R_M1 +Schematic/13.1 | 1 | Socket for PT relay with terminals 14-pole | YPT78704 YPT78704 | SCHRACK SCHRACK | YPT78704 | |
| R_M1 +Schematic/13.1 | 1 | Green Led 24V DC PCD | YMLGA024 YMLGA024 | SCHRACK SCHRACK | YMLGA024 | |
| R_M2 +Schematic/13.3 | 1 | Plug in Relay 14 pin 4 C/O 24VDC 6A | PT570024 PT570024 | SCHRACK SCHRACK | PT570024 | |
| R_M2 +Schematic/13.3 | 1 | Socket for PT relay with terminals 14-pole | YPT78704 YPT78704 | SCHRACK SCHRACK | YPT78704 | |
| R_M2 +Schematic/13.3 | 1 | Green Led 24V DC PCD | YMLGA024 YMLGA024 | SCHRACK SCHRACK | YMLGA024 | |
| R_U2 +Schematic/3.8 | 1 | Plug in relay 14pin 4C/O 230VAC | PT570730 PT570730 | SCHRACK SCHRACK | PT570730 | |
| R_U2 +Schematic/3.8 | 1 | Socket for PT relay with terminals 14-pole | YPT78704 YPT78704 | SCHRACK SCHRACK | YPT78704 | |
| R_U2 +Schematic/3.8 | 1 | Red Led 230VAC PCB | YMLRW230 YMLRW230 | SCHRACK SCHRACK | YMLRW230 | |
| S1 +Schematic/11.1 | 1 | Switch 1-0-2 new | LAY5A-BJ33 LAY5A-BJ33 | ELLICOM ELLICOM | LAY5A-BJ33 REMOTE | |
| S2 +Schematic/13.1 | 1 | Switch 1-0-2 new | LAY5A-BJ33 LAY5A-BJ33 | ELLICOM ELLICOM | LAY5A-BJ33 | |
| S3 +Schematic/13.1 | 1 | Green and Red Button with light | 022-506112000 022-506112000 | ELLICOM ELLICOM | 022-506112000 Start | |
| S5 +Schematic/12.1 | 1 | Switch 1-0-2 new | LAY5A-BJ33 LAY5A-BJ33 | ELLICOM ELLICOM | LAY5A-BJ33 REMOTE | |
| S6 +Schematic/13.3 | 1 | Switch 1-0-2 new | LAY5A-BJ33 LAY5A-BJ33 | ELLICOM ELLICOM | LAY5A-BJ33 | |

1.e

1.g

| | | | | | | | | | | | |
|--------------|--|------|------|----------|----------------|-------------|------------------------------------|---------------------|------------|------|--------|
| Modification | | Date | Name | Original | Replacement of | Replaced by | Parts list : YPT78704 - LAY5A-BJ33 | = AP1 + Partlist | DREAM TEAM | Page | 1.f |
| | | | | | | | | | | Page | 8 / 42 |

ANTΛIOΣTACIO AYMATΩN (TCE1)

Parts list

F01_004

| Device Designation Schematic / position | Quantity | Designation | Type number Order number | Manufacturer Supplier | Part number Function text | Pos |
|--|----------|---|--|--------------------------|------------------------------|-----|
| S7 +Schematic/13.3 | 1 | Green and Red Button with light | 022-506112000 022-506112000 | ELLICOM ELLICOM | 022-506112000 Start | |
| S12 +Schematic/11.3 | 1 | 22MM ROUND ACTUATOR: BUTTON BLACK | 022-903610000 022-903610000 | EL.LI.COM EL.LI.COM | 022-903610000 | |
| S13 +Schematic/12.3 | 1 | 22MM ROUND ACTUATOR: BUTTON BLACK | 022-903610000 022-903610000 | EL.LI.COM EL.LI.COM | 022-903610000 | |
| S25 +Schematic/16.3 | 1 | 22MM ROUND ACTUATOR: BUTTON BLACK | 022-903610000 022-903610000 | EL.LI.COM EL.LI.COM | 022-903610000 | |
| SR +Schematic/10.8 | 1 | Red emergency siren 230VAC | 035-03333230 035-033330230 | ELLICOM ELLICOM | 035-033330230 | |
| TH1 +Schematic/8.1 | 1 | Cooling thermostat | JWT6011F JWT6011F | ELLICOM ELLICOM | JWT6011F | |
| TH2 +Schematic/8.2 | 1 | Thermal thermostat | JWT6011R JWT6011R | ELLICOM ELLICOM | JWT6011R | |
| U1 +Schematic/3.1 | 1 | Multifunction meter modbus | MFM376-C MFM376-C | SELEC SELEC | MFM376-C | |
| U2 +Schematic/3.6 | 1 | 1Ø & 3Ø-Analog Voltage Protection Relay | VPRA2M-CE-RoHS VPRA2M-CE-RoHS | SELEC SELEC | VPRA2M-CE-RoHS | |
| UPS +Schematic/9.2 | 1 | SITOP UPS1600 DC-USV 24 V/10 A | 6EP4134-3AB00-0AY0 6EP4134-3AB00-0AY0 | SIE SIE | SIE.6EP4134-3AB00-0AY0 | |

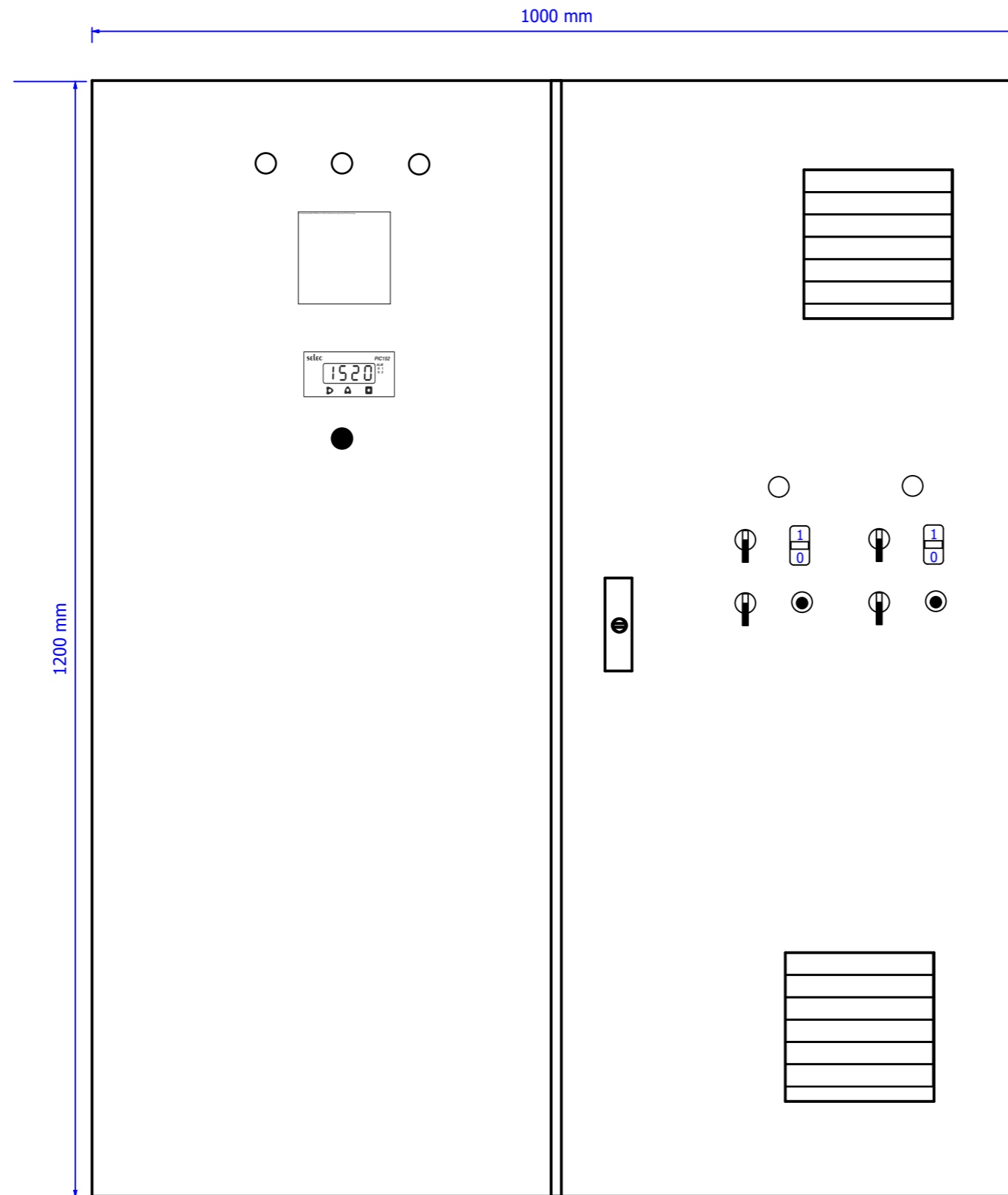
1.f

+Panel/1

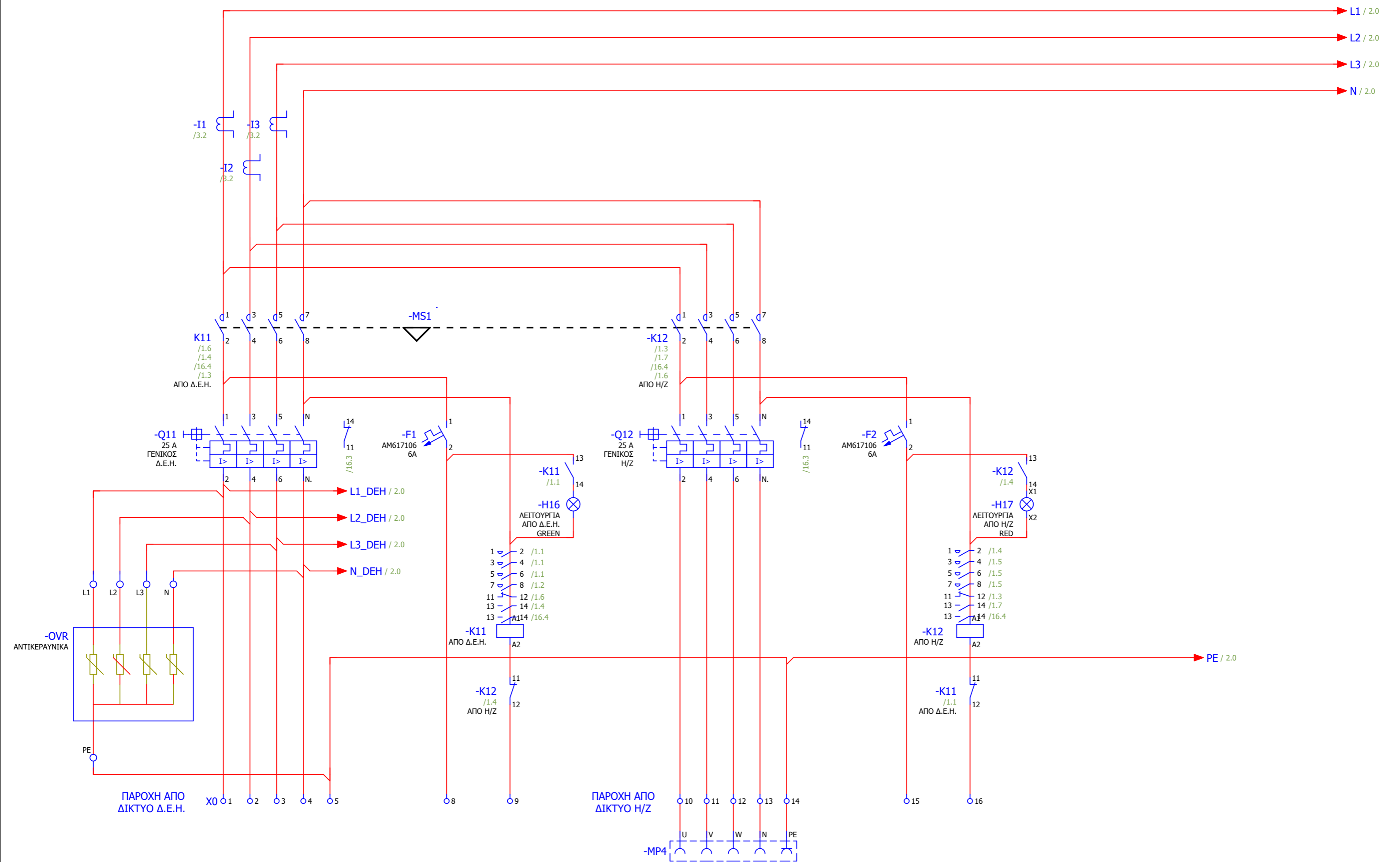
| | | | | | | | | | | |
|--------------|------|------|----------|-----------|----------------|--|---------------------|------------|------|--------|
| | | | Date | 28-Jan-22 | . . | Parts list : 022-506112000 - SIE.6EP4134-3AB00-0AY0 | = AP1 + Partlist | DREAM TEAM | Page | 1.g |
| | | | Ed | Dell | | | | | Page | 9 / 42 |
| | | | Appr | | | | | | | |
| Modification | Date | Name | Original | | Replacement of | Replaced by | | | | |

ΑΝΤΛΙΟΣΤΑΣΙΟ ΛΥΜΑΤΩΝ (ΤΣΕ1)

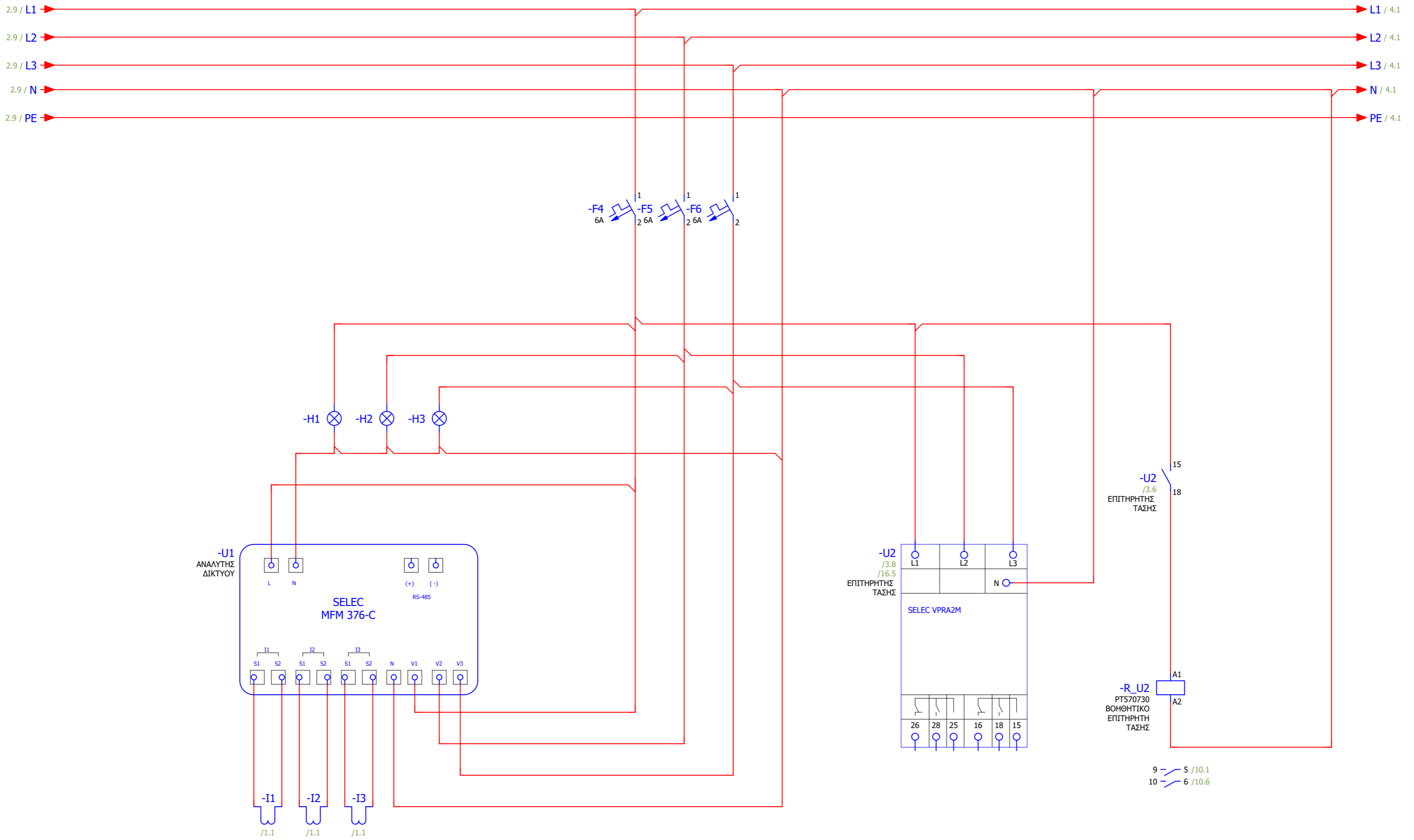
2,2 kW MS-300 12000(Υ)x1000(Π)x400(Β) ΔΙΑΣΤΑΣΗ ΕΣΩΤΕΡΙΚΟΥ ΚΙΒΩΤΙΟΥ



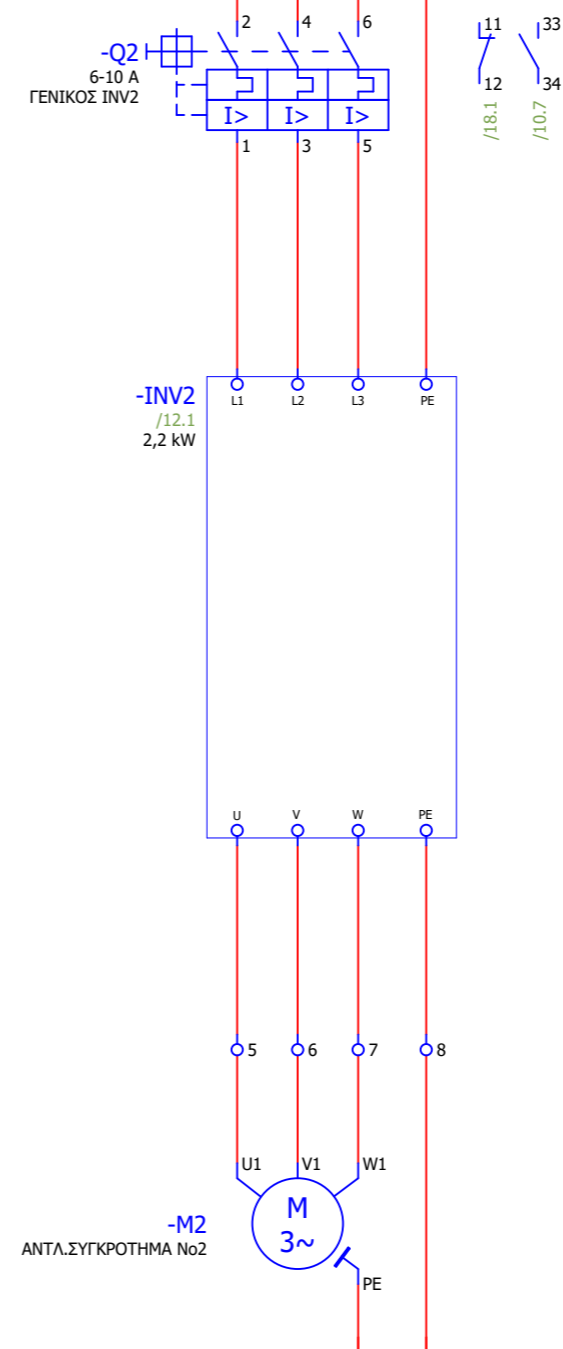
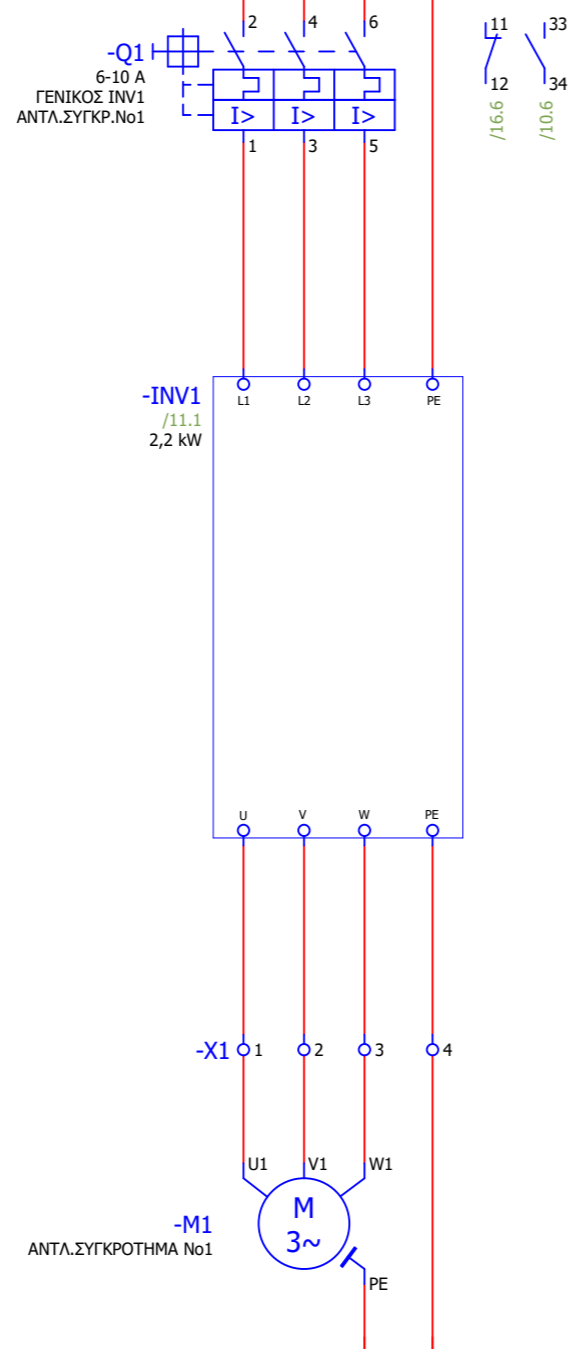
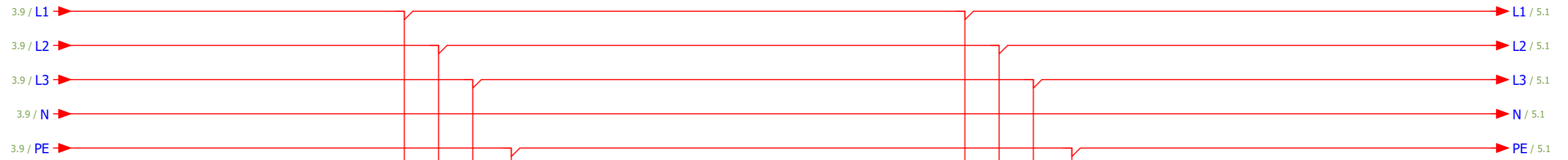
| | | | | | | | |
|--------------|------|------|----------------|-----------|-----------------------------|---------------|------------------|
| | | | Date | 18-Nov-22 | . . | 2x2,2kW MS300 | = AP1 + Panel |
| | | | Ed | User | | | |
| | | | Appr | | | | |
| Modification | Date | Name | Original | | ΑΝΤΛΙΟΣΤΑΣΙΟ ΛΥΜΑΤΩΝ (ΤΣΕ1) | | DREAM TEAM |
| | | | Replacement of | | Replaced by | | Page 10 / 42 |



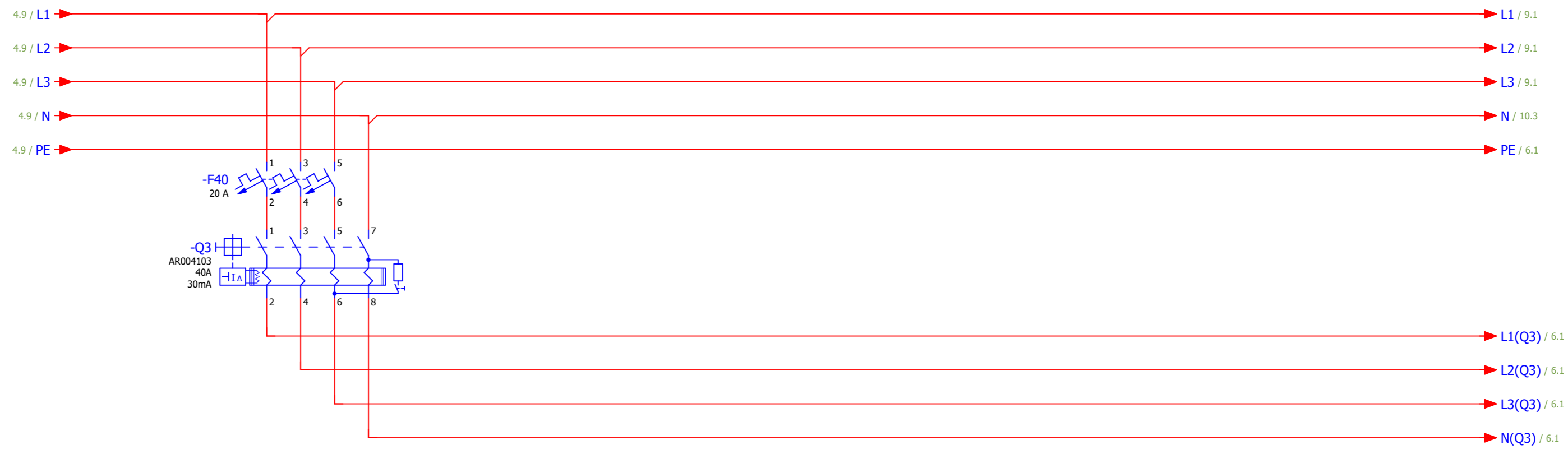
| | | | | | | |
|--------------|-----------|-----------------------------|-------------------|----------------------|------------|--------------|
| Date | 16-Dec-21 | ΑΝΤΛΙΟΣΤΑΣΙΟ ΛΥΜΑΤΩΝ (ΤΣΕ1) | Κύκλωμα μεταγωγής | = AP1 + Schematic | | |
| Ed | Dell | | | | | |
| Appr | | | | | | |
| Modification | Date | Name | Original | Replaced by | DREAM TEAM | Page 1 |
| | | | | | | Page 12 / 42 |



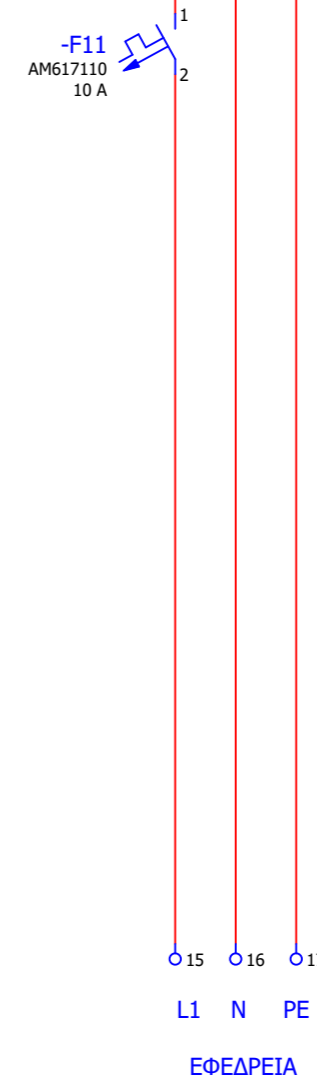
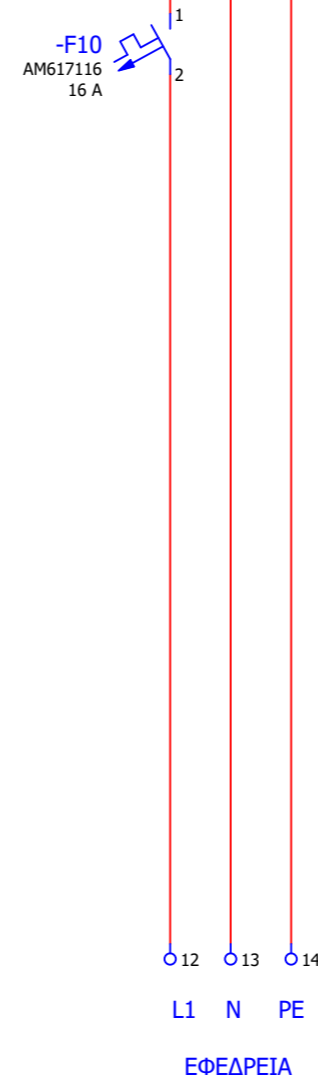
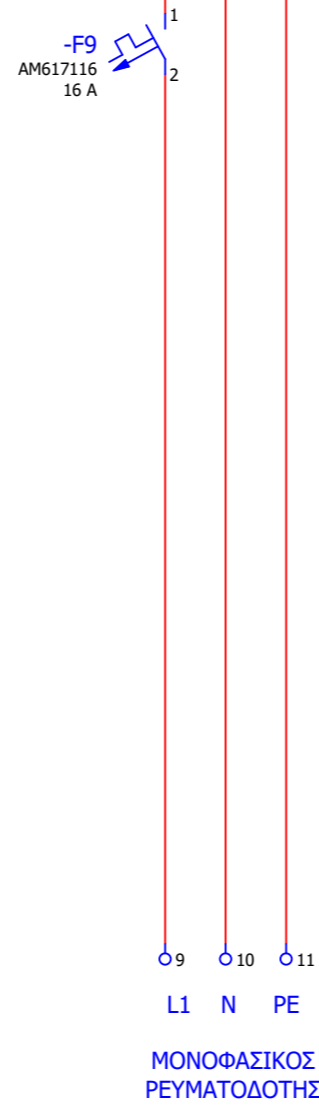
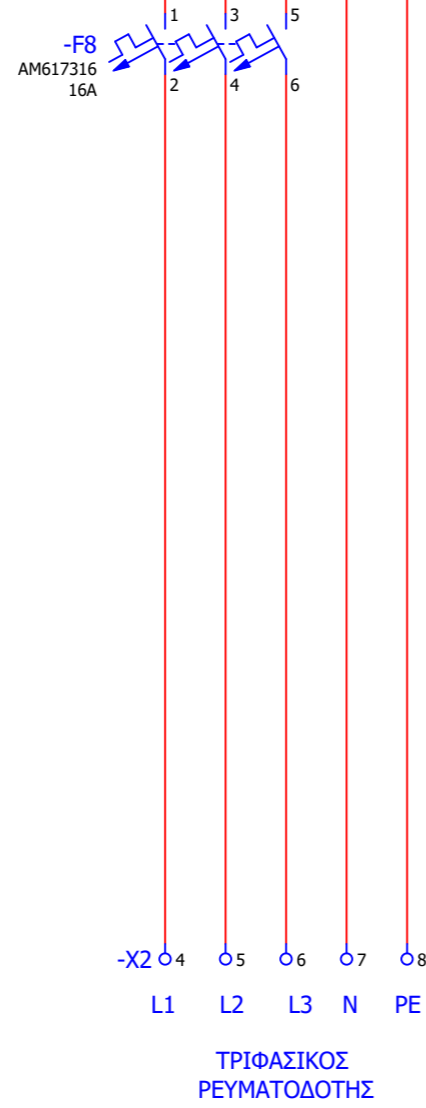
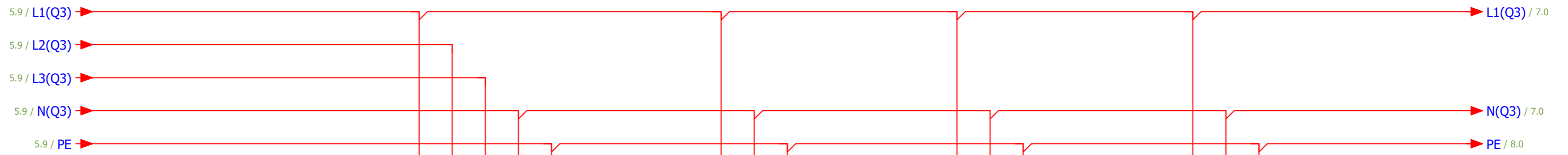
| | | | | | | |
|--------------|------|-----------------------------|-----------|-----|-----------------------------------|------------------------|
| | | Date | 18-Nov-22 | . . | Αναλυτής δικτύου-επιτηρητής τάσης | = AP1 + Schematic |
| | | Ed | User | | | |
| | | Appr | | | | |
| | | ΑΝΤΛΙΟΣΤΑΣΙΟ ΛΥΜΑΤΩΝ (ΤΣΕ1) | | . . | DREAM TEAM | Page 3 Page 14 / 42 |
| Modification | Date | Name | Original | | | |



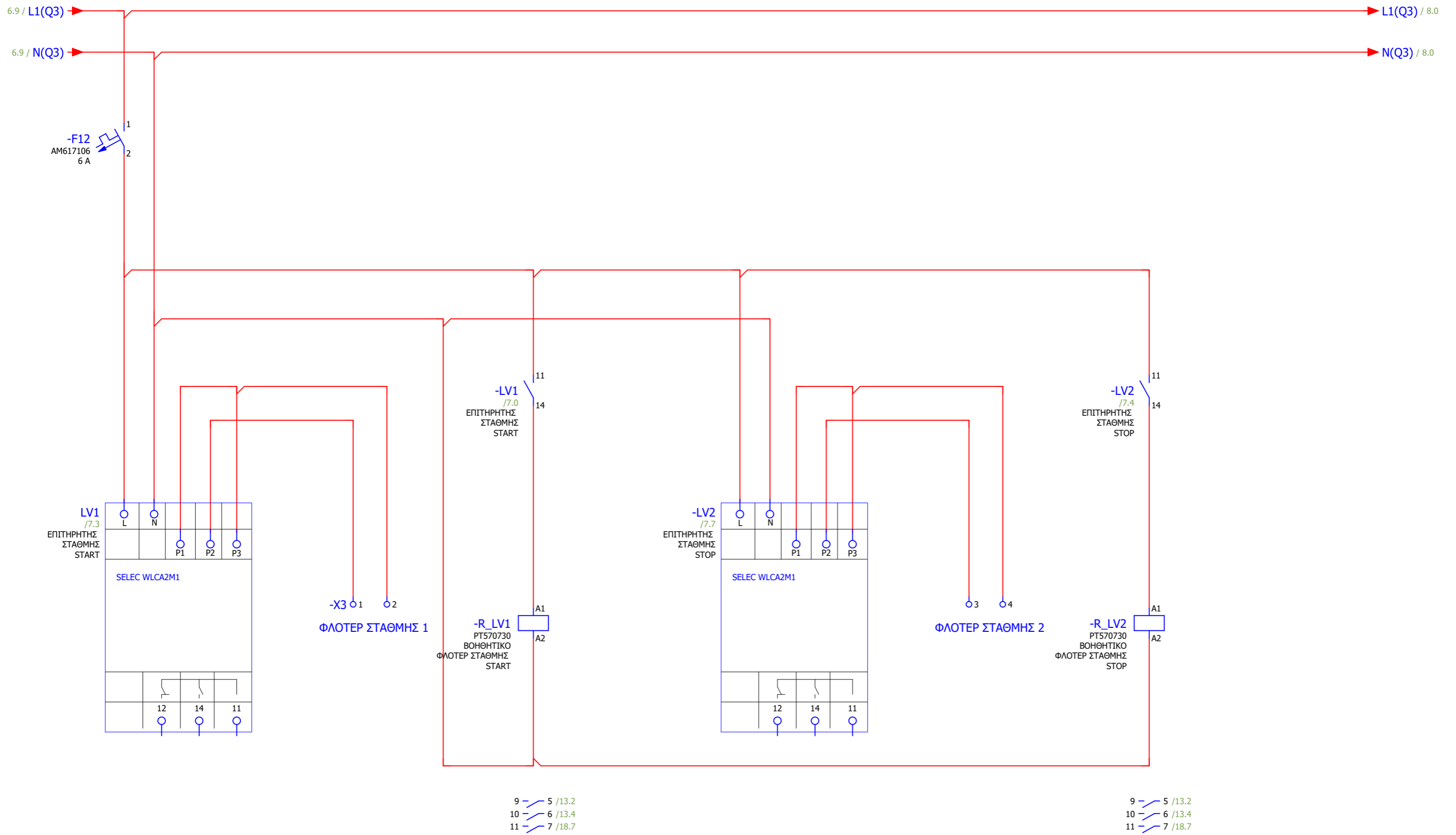
| | | | | | | | |
|--------------|------|------|----------|----------------|-----------------------------|----------------------------|------------------------|
| | | | Date | 18-Nov-22 | ΑΝΤΛΙΟΣΤΑΣΙΟ ΛΥΜΑΤΩΝ (ΤΣΕ1) | Κυρίως Κύκλωμα (1ο Δίδυμο) | = AP1 + Schematic |
| | | | Ed | User | | | |
| | | | Appr | | | | |
| Modification | Date | Name | Original | Replacement of | Replaced by | DREAM TEAM | Page 4 Page 15 / 42 |



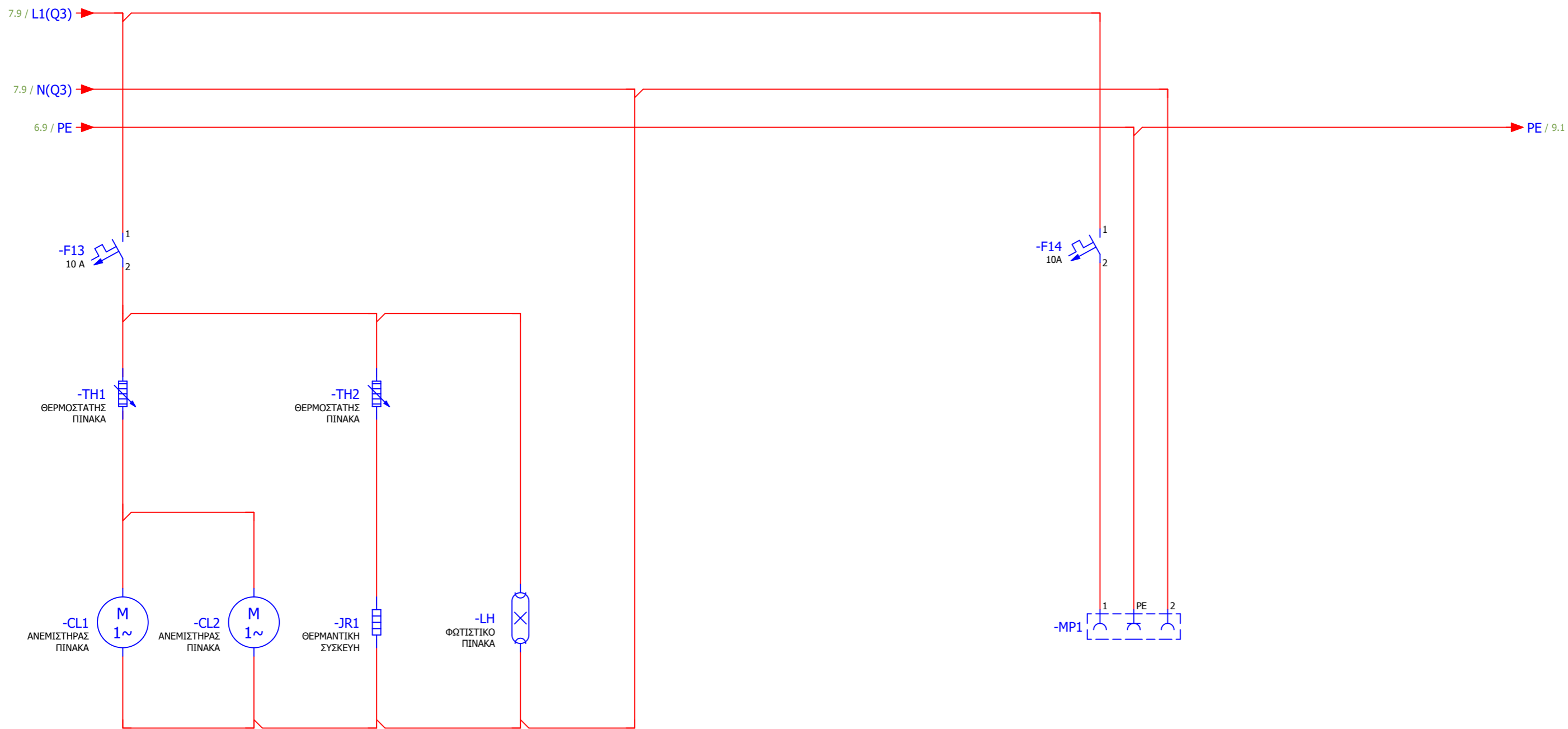
| | | | | | | | | |
|--------------|------|------|----------|----------------|-------------|----------------|-------------|--------------|
| | | | Date | 18-Nov-22 | . . | Κυρίως Κύκλωμα | = AP1 | |
| | | | Ed | User | | | + Schematic | |
| | | | Appr | | | | | |
| Modification | Date | Name | Original | Replacement of | Replaced by | | DREAM TEAM | Page 5 |
| | | | | | | | | Page 16 / 42 |



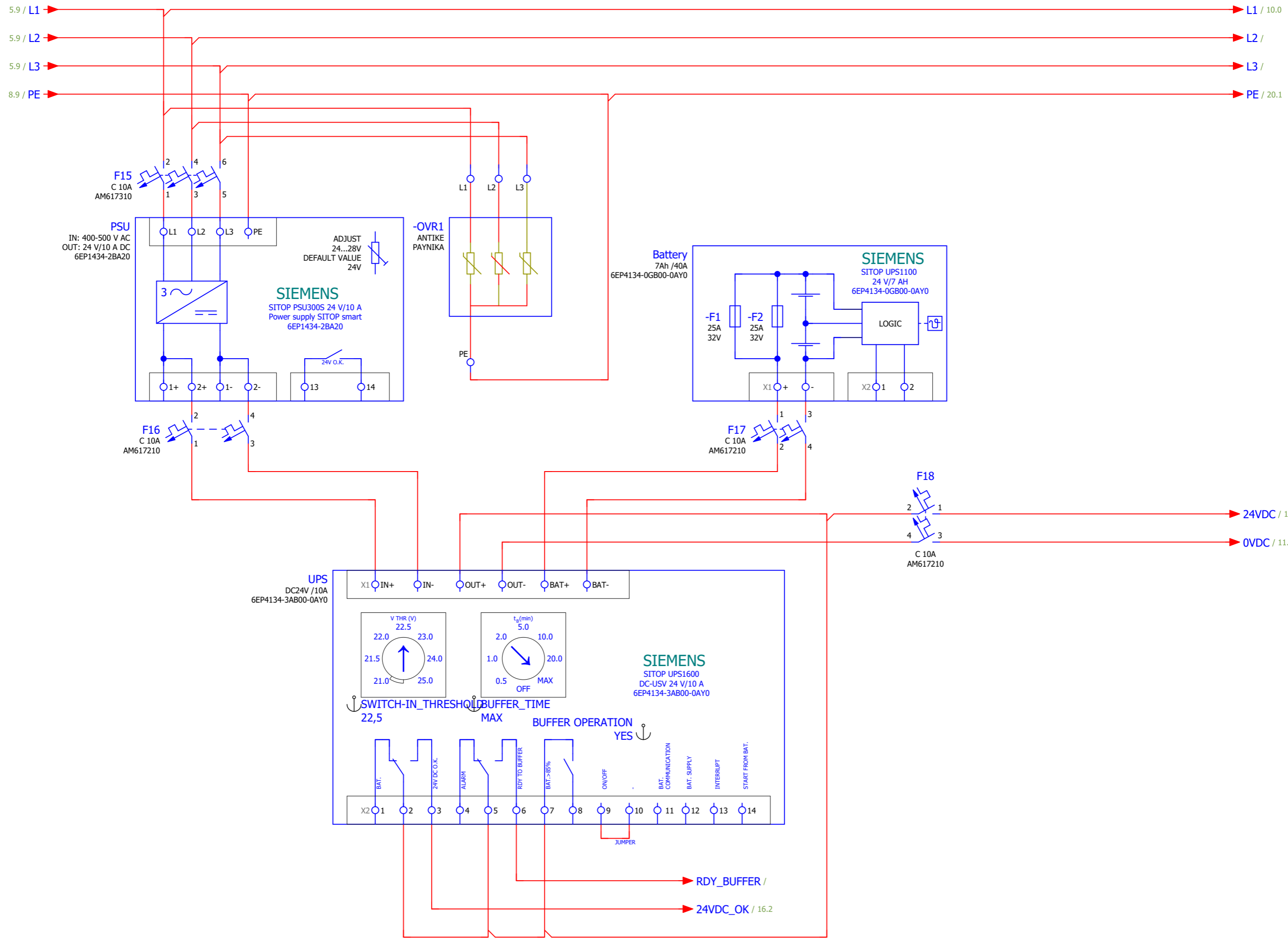
| | | | | | | | | |
|--------------|------|------|----------|----------------|-----------------------------|----------------|-------------|--------------|
| | | | Date | 18-Nov-22 | ΑΝΤΛΙΟΣΤΑΣΙΟ ΛΥΜΑΤΩΝ (ΤΣΕ1) | Κυρίως Κύκλωμα | = AP1 | |
| | | | Ed | User | | | + Schematic | |
| | | | Appr | | | | | |
| Modification | Date | Name | Original | Replacement of | Replaced by | | DREAM TEAM | Page 6 |
| | | | | | | | | Page 17 / 42 |



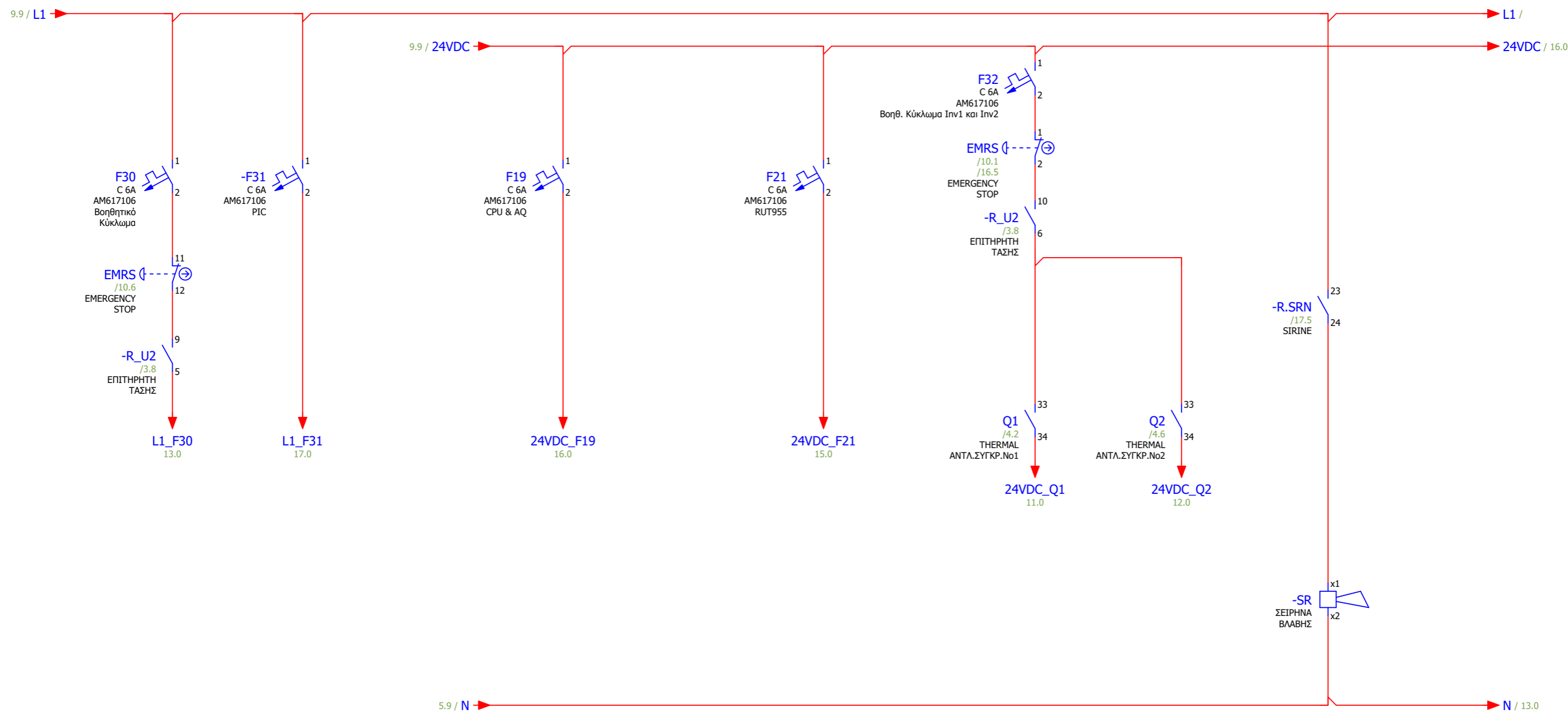
| | | | | | | | | | | |
|--------------|------|------|----------|-------------|-----------------------------|--|--------------------|--|-------------|--------------|
| | | | Date | 18-Nov-22 | | | Επιτηρητές Στάθμης | | = AP1 | |
| | | | Ed | User | | | | | + Schematic | |
| | | | Appr | | ΑΝΤΛΙΟΣΤΑΣΙΟ ΛΥΜΑΤΩΝ (ΤΣΕ1) | | | | DREAM TEAM | |
| Modification | Date | Name | Original | Replaced of | Replaced by | | | | | Page 7 |
| | | | | | | | | | | Page 18 / 42 |



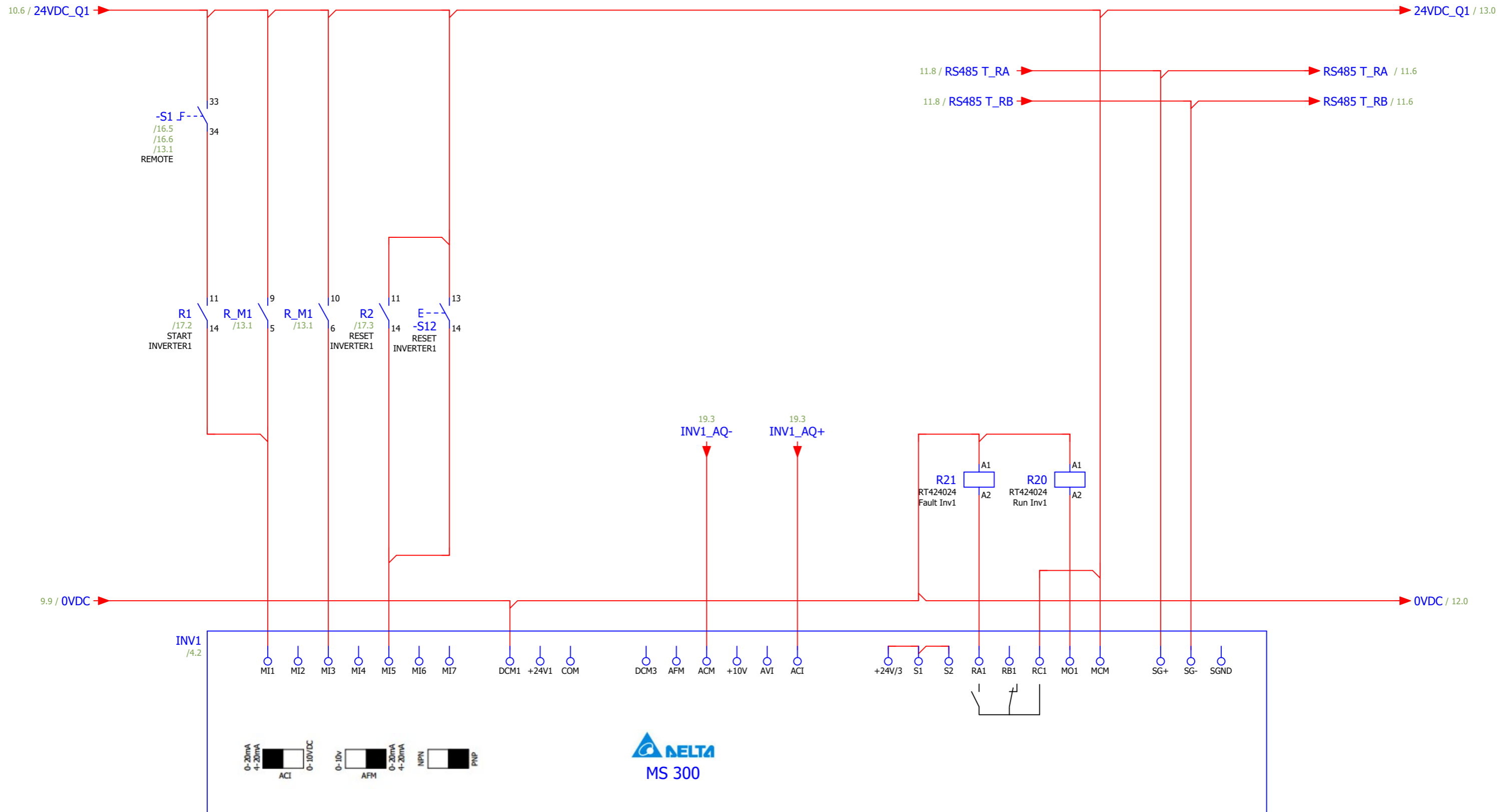
| | | | | | | | | |
|--------------|------|------|----------|----------------|-------------|----------------|-------------|--------------|
| | | | Date | 18-Nov-22 | . . | Κυρίως Κύκλωμα | = AP1 | |
| | | | Ed | User | | | + Schematic | |
| | | | Appr | | | | | |
| Modification | Date | Name | Original | Replacement of | Replaced by | | DREAM TEAM | Page 8 |
| | | | | | | | | Page 19 / 42 |



| | | | | | | | | | | | |
|--------------|------|------|----------|----------------|-------------|------------------------------|--|-------------------|--|-------------|---------|
| | | | | Date | 11-Jan-22 | | | Τροφοδοτικό & UPS | | = AP1 | |
| | | | | Ed | Dell | | | | | + Schematic | |
| | | | | Appr | | ΑΝΤΙΛΙΟΣΤΑΣΙΟ ΛΥΜΑΤΩΝ (ΤΣΕ1) | | | | DREAM TEAM | |
| Modification | Date | Name | Original | Replacement of | Replaced by | | | | | Page | 9 |
| | | | | | | | | | | Page | 20 / 42 |

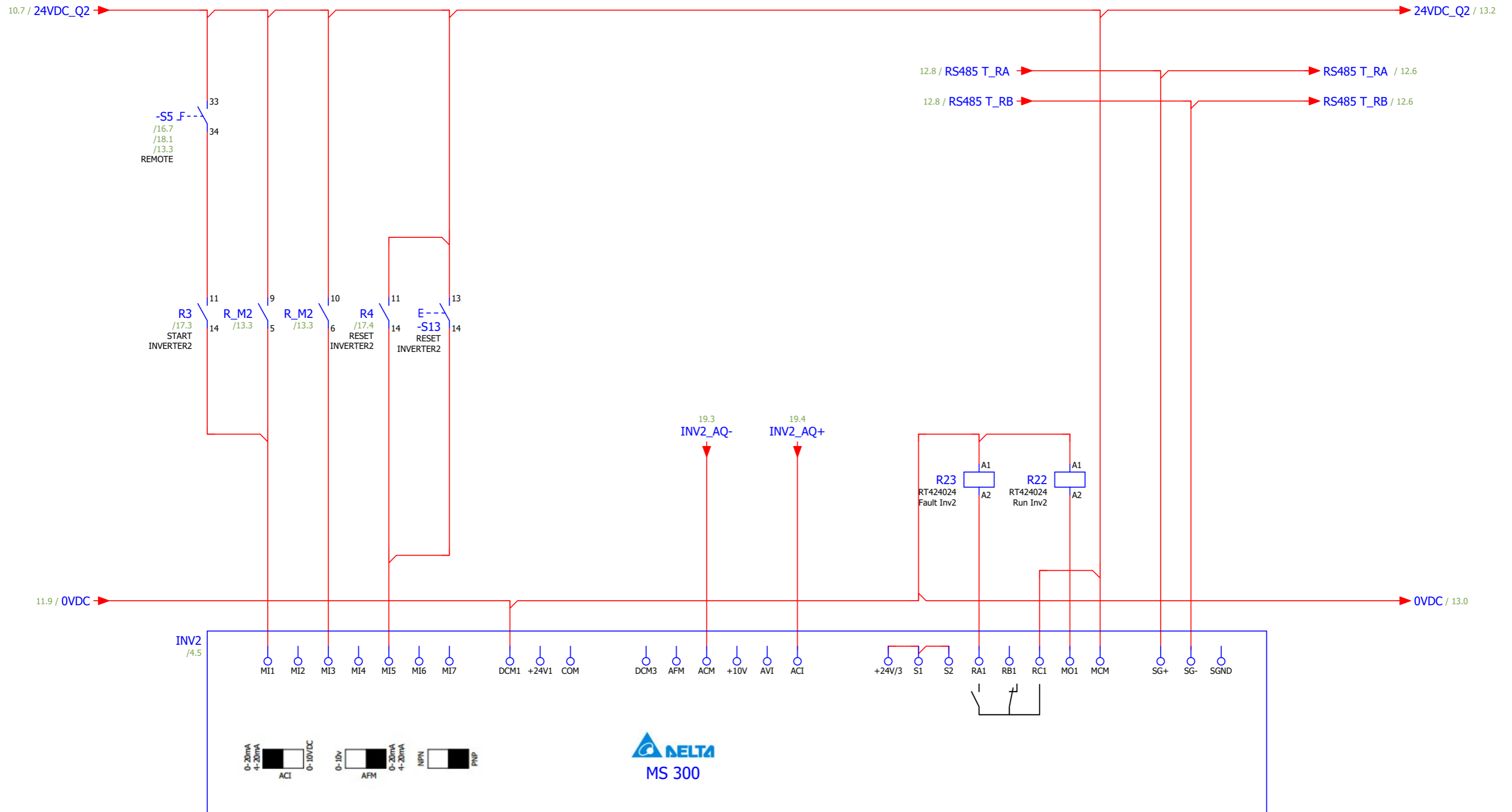


| | | | | | | | | |
|-----------------------------|------|------|-----------|----------------|----------------------------------|----------------------|------------|---------|
| | | Date | 18-Nov-22 | . . | Τροφοδοσία Βοηθητικού Κυκλώματος | = AP1 + Schematic | DREAM TEAM | Page 10 |
| | | Ed | User | | | | | |
| | | Appr | | | | | | |
| ANTΛΙΟΣΤΑΣΙΟ ΛΥΜΑΤΩΝ (ΤΣΕ1) | | | | Replacement of | Replaced by | | | |
| Modification | Date | Name | Original | | | Page 21 / 42 | | |

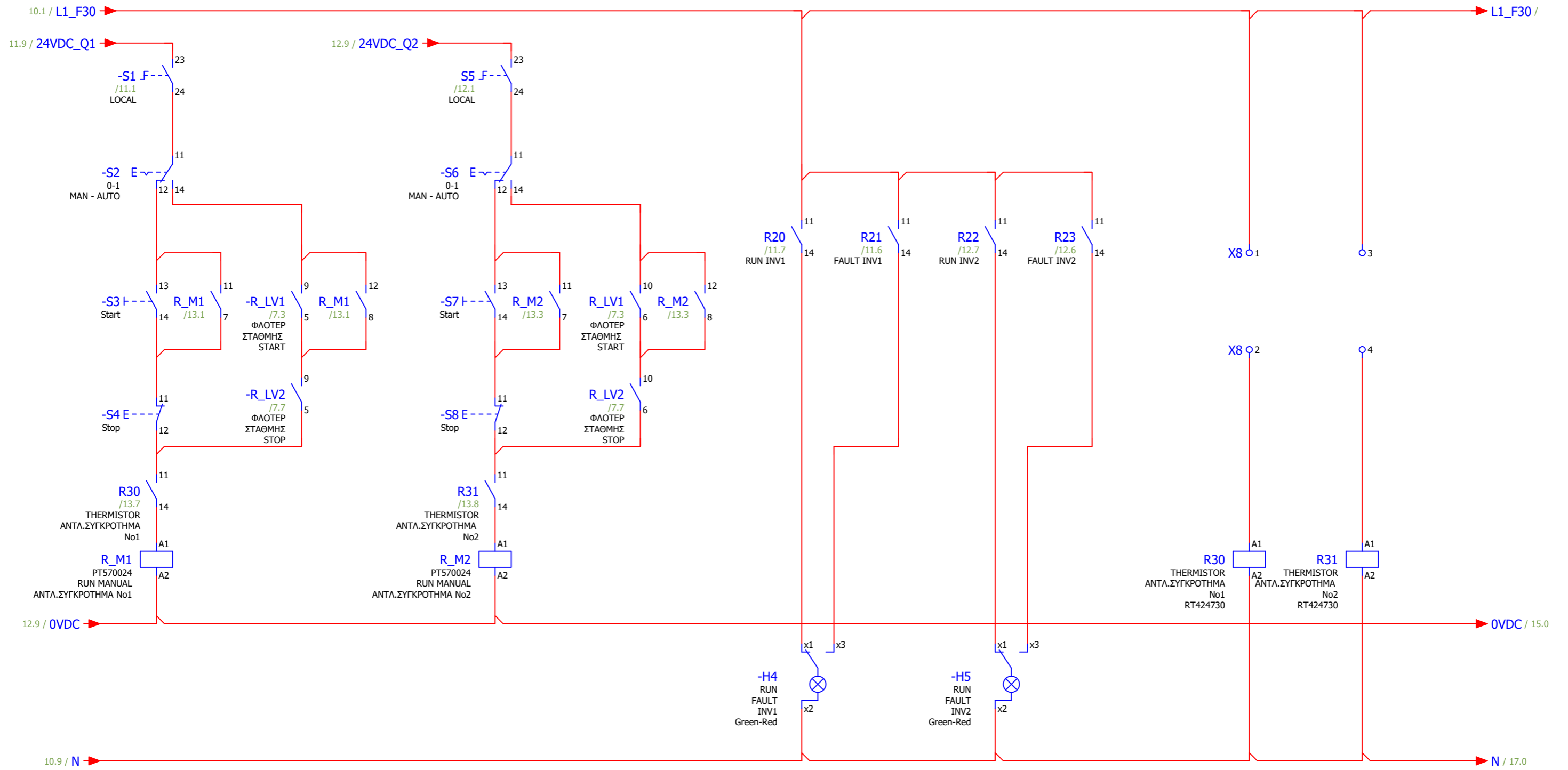


11 - 14 /13.5 11 - 14 /13.5
 21 - 24 /16.7 21 - 24 /16.6

| | | | | | | | | | | |
|--------------|------|------|----------|----------------|-----------------------------|--|-------------------------|--|-------------|--------------|
| | | | Date | 18-Nov-22 | | | Boηηθητικό Κύκλωμα INV1 | | = AP1 | |
| | | | Ed | User | | | | | + Schematic | |
| | | | Appr | | ΑΝΤΛΙΟΣΤΑΣΙΟ ΛΥΜΑΤΩΝ (ΤΣΕ1) | | | | DREAM TEAM | |
| Modification | Date | Name | Original | Replacement of | Replaced by | | | | | Page 11 |
| | | | | | | | | | | Page 22 / 42 |



11 --- 14 /13.6 11 --- 14 /13.6
 21 --- 24 /18.2 21 --- 24 /18.2



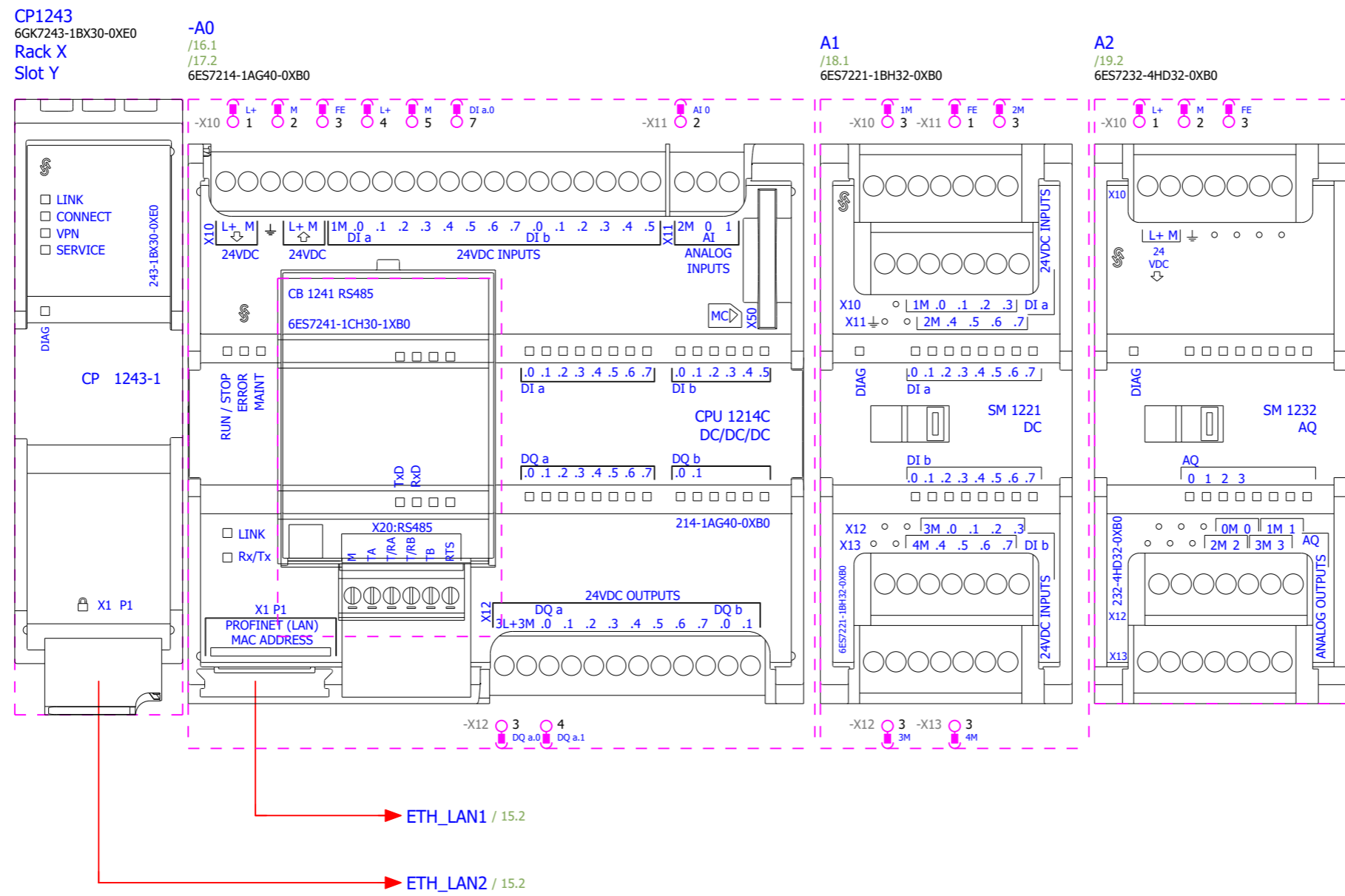
9 --- 5 /11.2
 10 --- 6 /11.2
 11 --- 7 /13.1
 12 --- 8 /13.2

9 --- 5 /12.2
 10 --- 6 /12.2
 11 --- 7 /13.3
 12 --- 8 /13.4

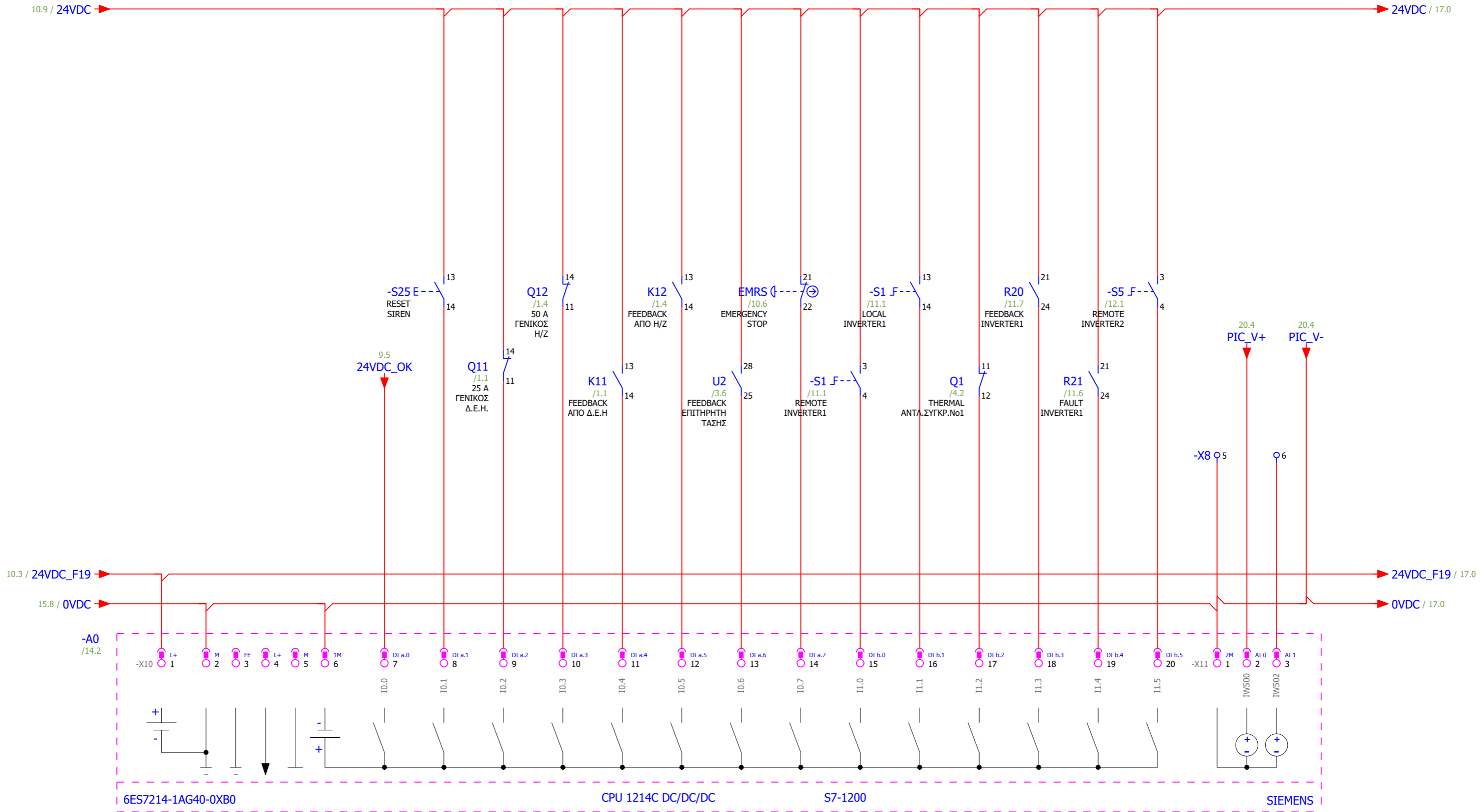
11 --- 14 /13.1
 21 --- 24 /18.8

11 --- 14 /13.3
 21 --- 24 /18.8

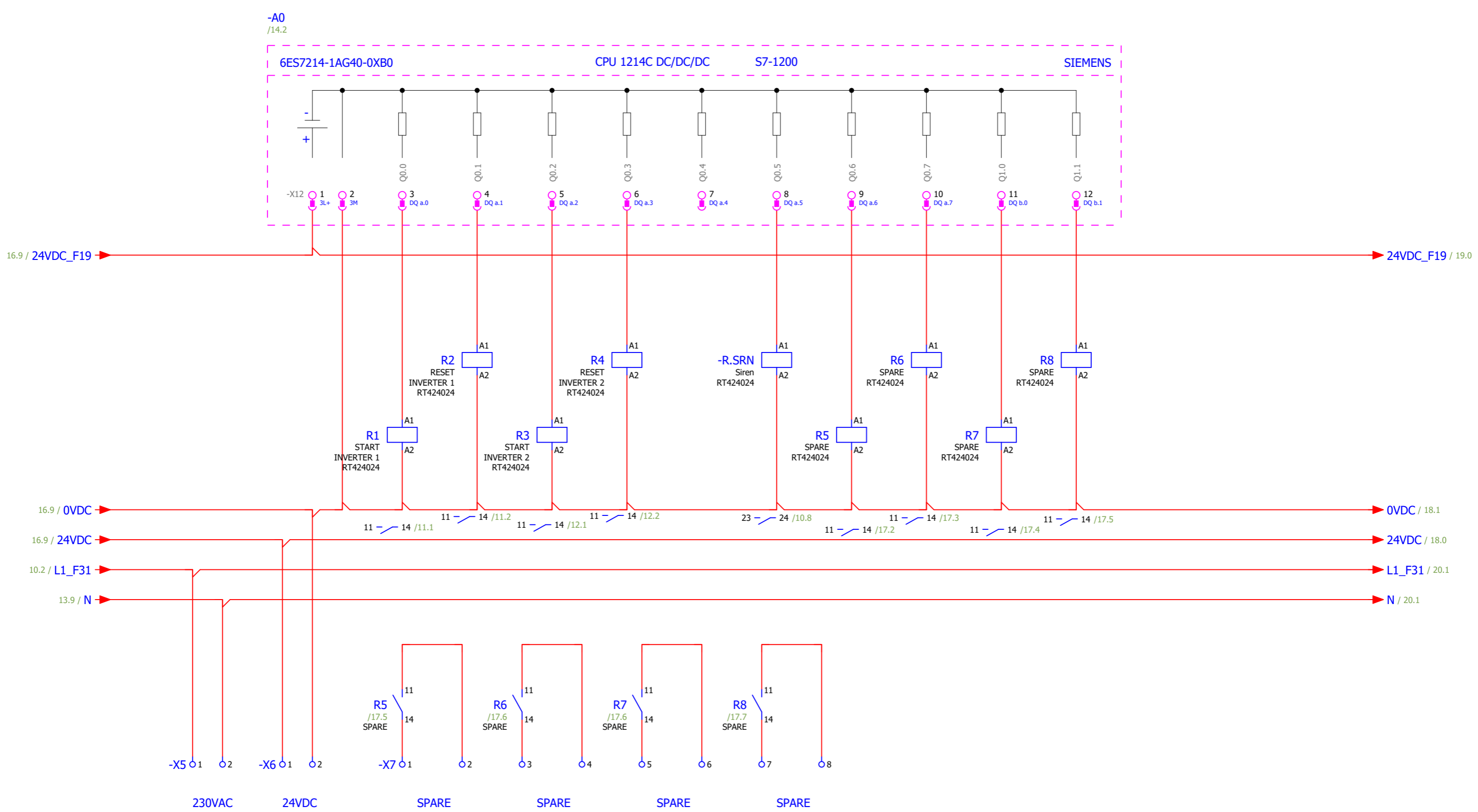
| | | | | | | | | | | |
|--------------|------|------|----------|-----------|-----------------------------|-------------|---------------------------|--|-------------|---------|
| | | | Date | 18-Nov-22 | | | Boηηθηκὸ Κύκλωμα Inverter | | = AP1 | |
| | | | Ed | User | | | | | + Schematic | |
| | | | Appr | | ΑΝΤΛΙΟΣΤΑΣΙΟ ΛΥΜΑΤΩΝ (ΤΣΕ1) | | | | DREAM TEAM | |
| Modification | Date | Name | Original | | Replacement of | Replaced by | | | Page | 13 |
| | | | | | | | | | Page | 24 / 42 |



| | | | | | | | | | | |
|--------------|------|------|----------|-----------------------------|-----------|----------------|-------------|------------|-------------|--------------|
| | | | | Date | 07-Dec-21 | Configuration | | | = AP1 | |
| | | | | Ed | user | | | | + Schematic | |
| | | | | Appr | | | | | | |
| | | | | ΑΝΤΛΙΟΣΤΑΣΙΟ ΛΥΜΑΤΩΝ (ΤΣΕ1) | | Replacement of | Replaced by | DREAM TEAM | | Page 14 |
| Modification | Date | Name | Original | | | | | | | Page 25 / 42 |



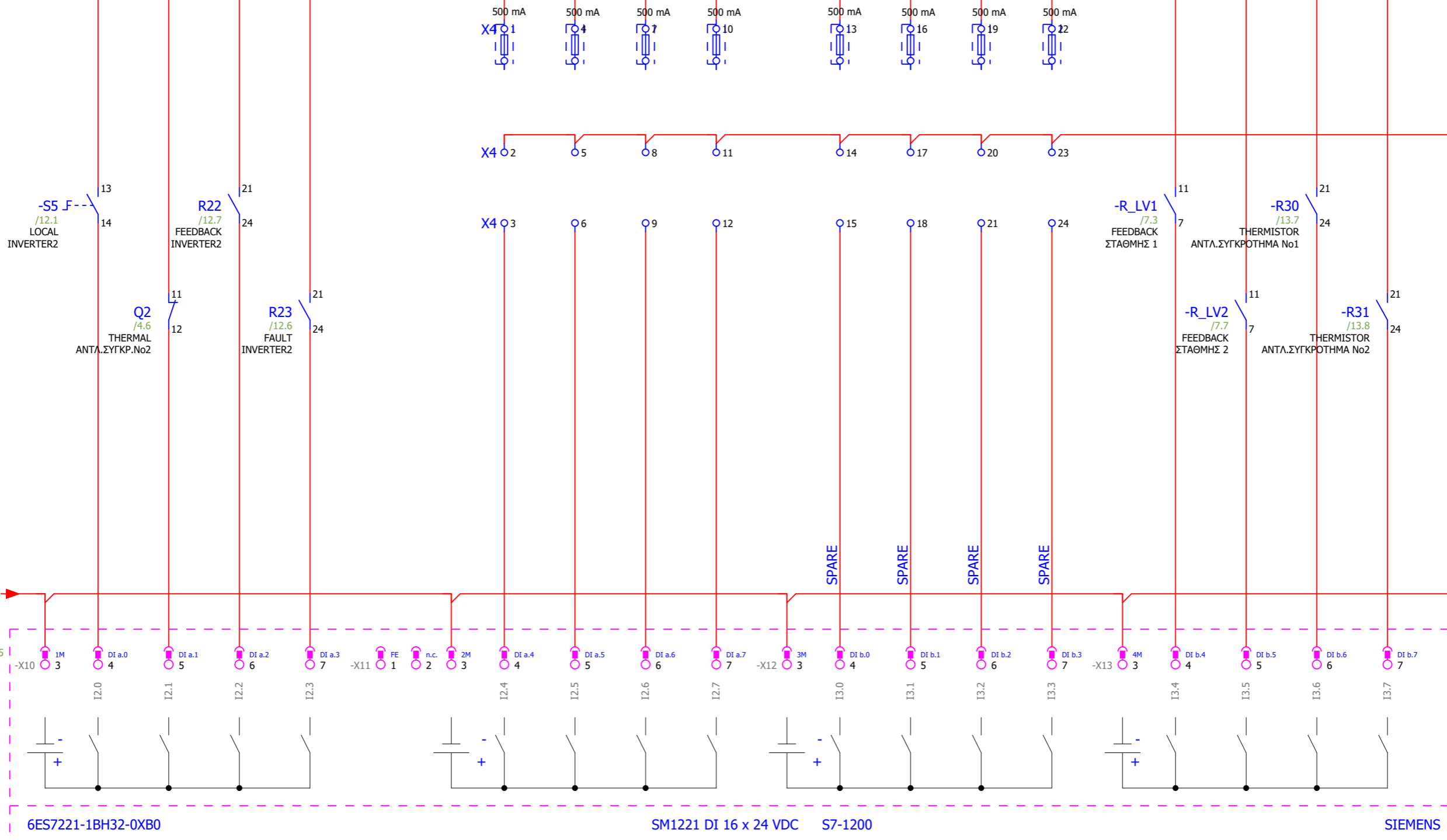
| | | | | | | | | | |
|--------------|------|-----------|----------|-----------------------------|-------------|-----------------|--|-------------|---------|
| Date | | 18-Nov-22 | | . . | | CPU I0.0 - I1.5 | | = AP1 | |
| Ed | | User | | . . | | | | + Schematic | |
| Appr | | | | ΑΝΤΛΙΟΣΤΑΣΙΟ ΛΥΜΑΤΩΝ (ΤΣΕ1) | | | | DREAM TEAM | |
| Modification | Date | Name | Original | Replacement of | Replaced by | | | Page | 16 |
| | | | | | | | | Page | 27 / 42 |



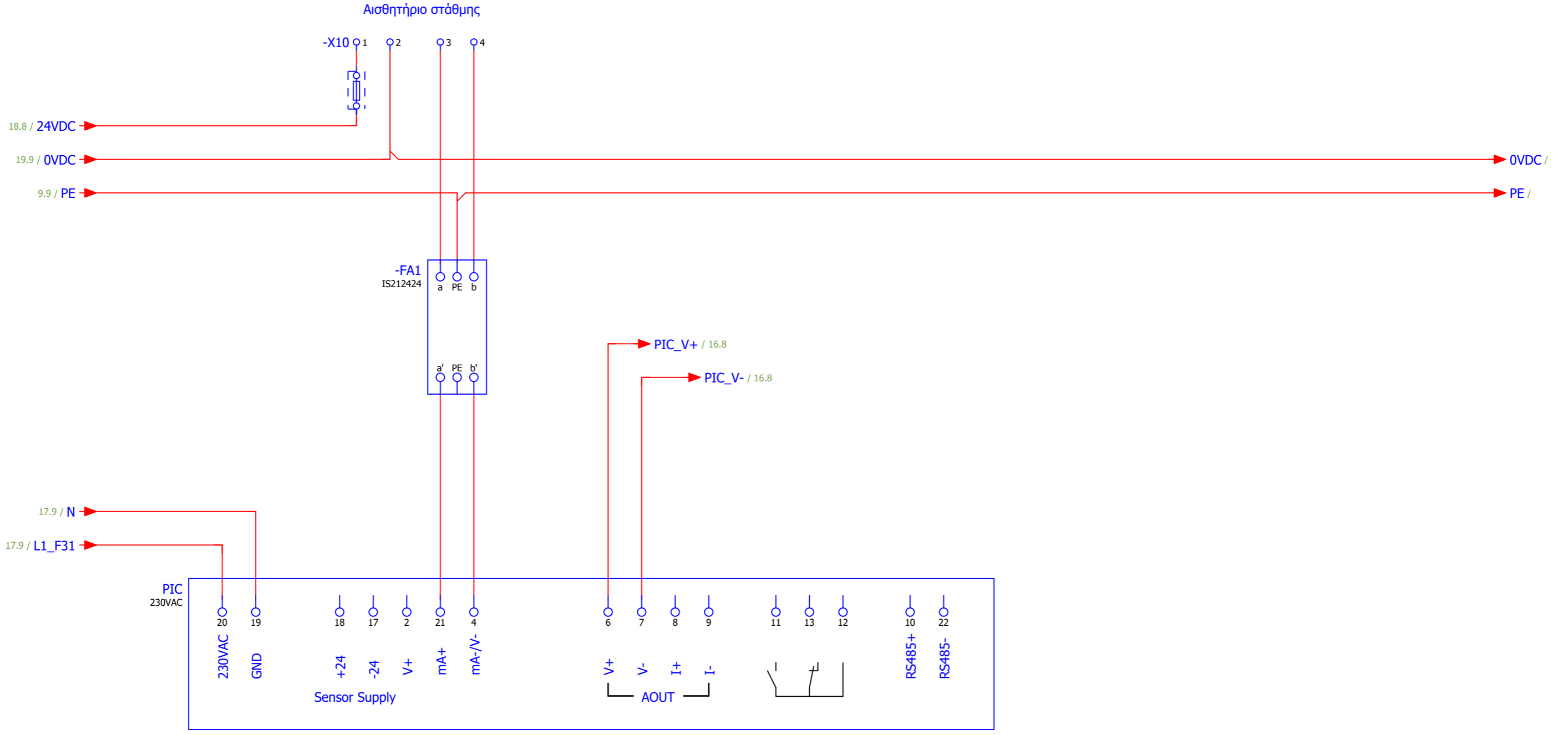
| | | | | | | | | | | |
|--------------|------|------|----------|-----------|-----------------------------|-------------|-----------------|--|-------------|---------|
| | | | Date | 18-Nov-22 | | | CPU Q0.0 - Q1.1 | | = AP1 | |
| | | | Ed | User | | | | | + Schematic | |
| | | | Appr | | ΑΝΤΛΙΟΣΤΑΣΙΟ ΛΥΜΑΤΩΝ (ΤΣΕ1) | | | | DREAM TEAM | |
| Modification | Date | Name | Original | | Replacement of | Replaced by | | | Page | 17 |
| | | | | | | | | | Page | 28 / 42 |

17.9 / 24VDC 24VDC / 20.1

17.9 / 0VDC 0VDC / 19.0



| | | | | | | | | | |
|--------------|--|-----------|------|----------|-----------------------------|-------------|----------------|----------------------|--|
| Modification | | Date | Name | Original | Replacement of | Replaced by | DI I2.0 - I3.7 | = AP1 + Schematic | |
| | | 18-Nov-22 | | | ANTΛΙΟΣΤΑΣΙΟ ΛΥΜΑΤΩΝ (ΤΣΕ1) | | | DREAM TEAM | |
| | | | | | | | | Page 18 | |
| | | | | | | | | Page 29 / 42 | |



| | | | | | | | | | | |
|--------------|------|------|----------|-----------|-----------------------------|-------------|------------------------|--|-------------|---------|
| | | | Date | 18-Nov-22 | | | Ψηφιακό Όργανο Στάθμης | | = AP1 | |
| | | | Ed | User | | | | | + Schematic | |
| | | | Appr | | ΑΝΤΛΙΟΣΤΑΣΙΟ ΛΥΜΑΤΩΝ (ΤΣΕ1) | | | | DREAM TEAM | |
| Modification | Date | Name | Original | | Replacement of | Replaced by | | | Page | 20 |
| | | | | | | | | | Page | 31 / 42 |

-X0
ΠΑΡΟΧΕΣ ΠΙΝΑΚΑ

| | | | | |
|----|----|-----------------------------------|------|---|
| 1 | L1 | ΠΑΡΟΧΗ ΑΠΟ ΔΙΚΤΥΟ Δ.Ε.Η. | /1.1 | = |
| 2 | L2 | ΠΑΡΟΧΗ ΑΠΟ ΔΙΚΤΥΟ Δ.Ε.Η.· | = | = |
| 3 | L3 | ΠΑΡΟΧΗ ΑΠΟ ΔΙΚΤΥΟ Δ.Ε.Η. | /1.2 | = |
| 4 | N | ΠΑΡΟΧΗ ΑΠΟ ΔΙΚΤΥΟ Δ.Ε.Η.· | = | = |
| 5 | PE | ΠΑΡΟΧΗ ΑΠΟ ΔΙΚΤΥΟ Δ.Ε.Η. | /1.3 | = |
| 8 | | ΕΝΤΟΛΗ ΓΙΑ ΔΙΚΤΥΟ Δ.Ε.Η. | = | = |
| 9 | | ΕΝΤΟΛΗ ΓΙΑ ΔΙΚΤΥΟ Δ.Ε.Η.· | /1.4 | = |
| 10 | L1 | ΠΑΡΟΧΗ ΑΠΟ ΔΙΚΤΥΟ Η/Ζ | = | = |
| 11 | L2 | ΠΑΡΟΧΗ ΑΠΟ ΔΙΚΤΥΟ Η/Ζ. | /1.5 | = |
| 12 | L3 | ΠΑΡΟΧΗ ΑΠΟ ΔΙΚΤΥΟ Η/Ζ | = | = |
| 13 | N | ΠΑΡΟΧΗ ΑΠΟ ΔΙΚΤΥΟ Η/Ζ. | = | = |
| 14 | PE | ΠΑΡΟΧΗ ΑΠΟ ΔΙΚΤΥΟ Η/Ζ | /1.6 | = |
| 15 | | ΕΝΤΟΛΗ ΓΙΑ ΔΙΚΤΥΟ Η/Ζ | = | = |
| 16 | | ΕΝΤΟΛΗ ΓΙΑ ΔΙΚΤΥΟ Η/Ζ. | /2.2 | = |
| 17 | L1 | ΠΑΡΟΧΗ ΠΡΟΣ ΕΛΕΓΧΟ ΑΠΟ ΓΕΝΝΗΤΡΙΑ | = | = |
| 18 | L2 | ΠΑΡΟΧΗ ΠΡΟΣ ΕΛΕΓΧΟ ΑΠΟ ΓΕΝΝΗΤΡΙΑ. | = | = |
| 19 | L3 | ΠΑΡΟΧΗ ΠΡΟΣ ΕΛΕΓΧΟ ΑΠΟ ΓΕΝΝΗΤΡΙΑ | = | = |
| 20 | N | ΠΑΡΟΧΗ ΠΡΟΣ ΕΛΕΓΧΟ ΑΠΟ ΓΕΝΝΗΤΡΙΑ. | = | = |
| 21 | PE | ΠΑΡΟΧΗ ΠΡΟΣ ΕΛΕΓΧΟ ΑΠΟ ΓΕΝΝΗΤΡΙΑ | /2.4 | = |
| 22 | L1 | ΠΡΟΘΕΡΜΑΝΤΗΡΑΣ ΓΕΝΝΗΤΡΙΑΣ | = | = |
| 23 | N | ΠΡΟΘΕΡΜΑΝΤΗΡΑΣ ΓΕΝΝΗΤΡΙΑΣ. | = | = |



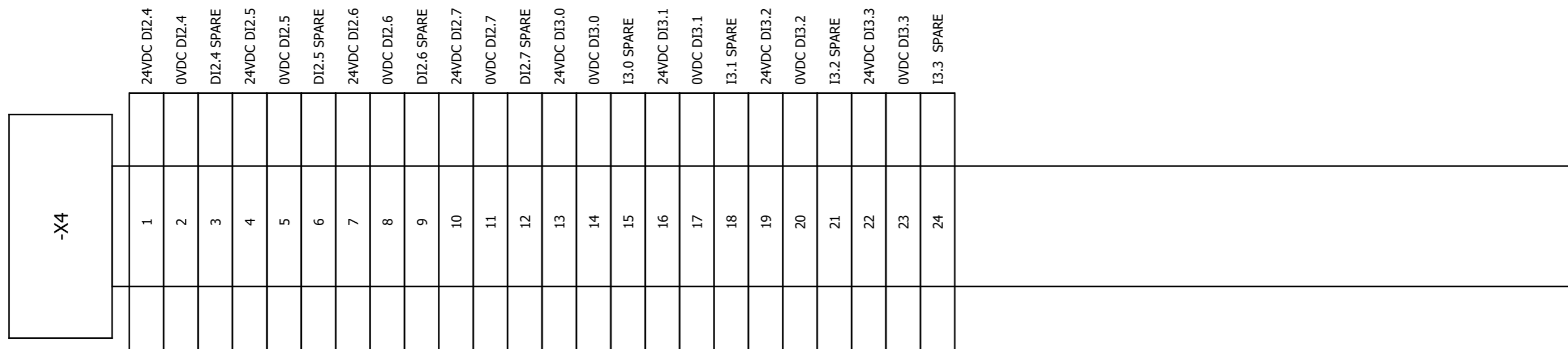
| | | | | | | | | | |
|--------------|------|------|----------|----------------|-------------|--|------------|--------------|------------|
| Modification | Date | Name | Original | Replacement of | Replaced by | Terminal line-up diagram =AP1+Schematic-X0 | DREAM TEAM | Page 32 / 42 | |
| | | | | | | | | | = AP1 |
| | | | | | | | | | + Terminal |

-X2

| | |
|----|----|
| 4 | L1 |
| 5 | L2 |
| 6 | L3 |
| 7 | N |
| 8 | PE |
| 9 | L1 |
| 10 | N |
| 11 | PE |
| 12 | L1 |
| 13 | N |
| 14 | PE |
| 15 | L1 |
| 16 | N |
| 17 | PE |

ΠΑΡΟΧΗ ΤΡΙΦΑΣΙΚΟΣ ΡΕΥΜΑΤΟΔΟΤΗΣ
 ΠΑΡΟΧΗ ΤΡΙΦΑΣΙΚΟΣ ΡΕΥΜΑΤΟΔΟΤΗΣ.
 ΠΑΡΟΧΗ ΤΡΙΦΑΣΙΚΟΣ ΡΕΥΜΑΤΟΔΟΤΗΣ
 ΠΑΡΟΧΗ ΤΡΙΦΑΣΙΚΟΣ ΡΕΥΜΑΤΟΔΟΤΗΣ.
 ΠΑΡΟΧΗ ΤΡΙΦΑΣΙΚΟΣ ΡΕΥΜΑΤΟΔΟΤΗΣ
 ΠΑΡΟΧΗ ΜΟΝΟΦΑΣΙΚΟΣ ΡΕΥΜΑΤΟΔΟΤΗΣ
 ΠΑΡΟΧΗ ΜΟΝΟΦΑΣΙΚΟΣ ΡΕΥΜΑΤΟΔΟΤΗΣ.
 ΠΑΡΟΧΗ ΜΟΝΟΦΑΣΙΚΟΣ ΡΕΥΜΑΤΟΔΟΤΗΣ
 ΠΑΡΟΧΗ ΕΦΕΔΡΕΙΑ
 ΠΑΡΟΧΗ ΕΦΕΔΡΕΙΑ.
 ΠΑΡΟΧΗ ΕΦΕΔΡΕΙΑ..
 ΠΑΡΟΧΗ ΕΦΕΔΡΕΙΑ
 ΠΑΡΟΧΗ ΕΦΕΔΡΕΙΑ.
 ΠΑΡΟΧΗ ΕΦΕΔΡΕΙΑ

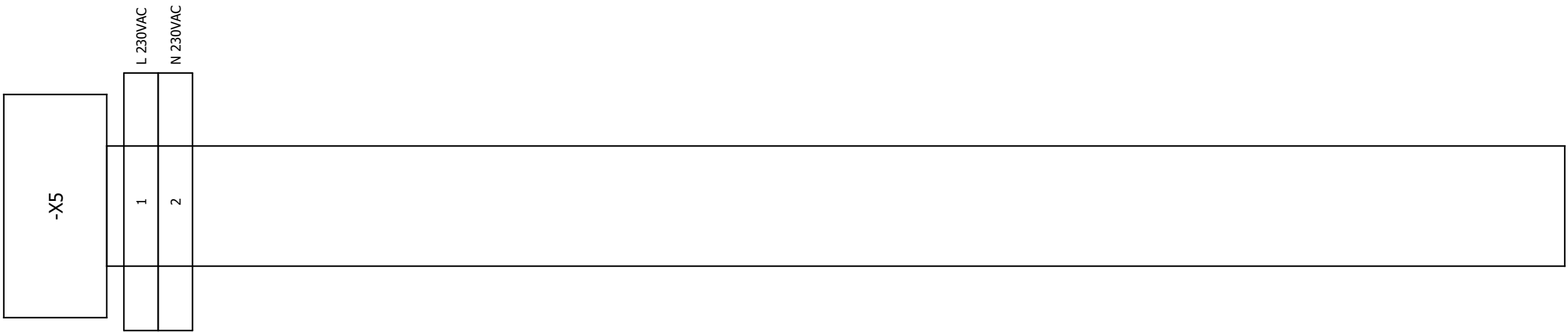
/6.2
 /6.3
 =
 =
 =
 /6.4
 =
 /6.5
 /6.6
 =
 =
 /6.7
 =
 =



/18.3 = = /18.4 = = = = = = = = = = /18.5 = = = = = = /18.6 = = = = =

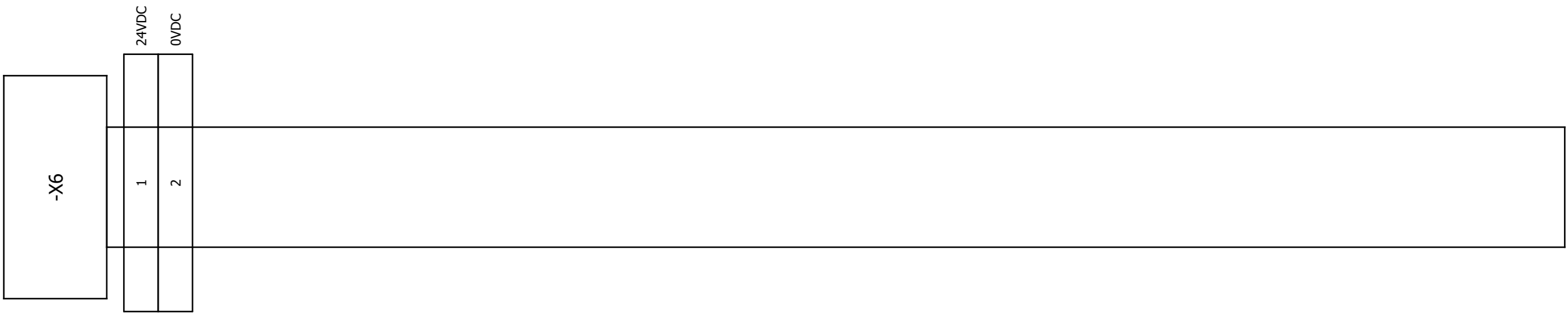
| | | | | | | | | |
|--------------|------|------|----------|----------------|-------------------------------|--|------------|--------------|
| | | | Date | 29-Jan-22 | . ANΤΛΙΟΣΤΑΣΙΟ ΛΥΜΑΤΩΝ (ΤΣΕ1) | Terminal line-up diagram =AP1+Schematic-X4 | = AP1 | |
| | | | Ed | Dell | | | + Terminal | |
| | | | Appr | | | | | |
| Modification | Date | Name | Original | Replacement of | Replaced by | | DREAM TEAM | Page 5 |
| | | | | | | | | Page 36 / 42 |

/17.1
=



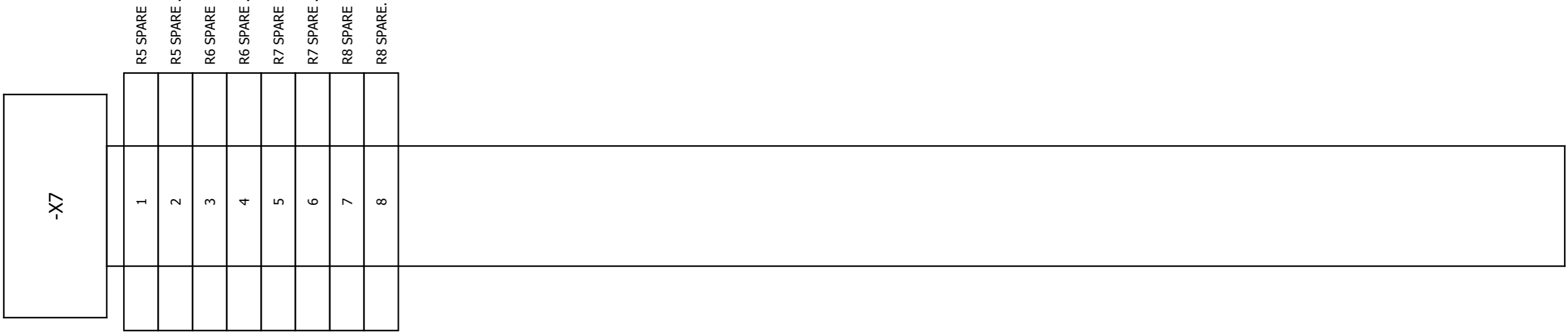
| | | | | | | | | | |
|--------------|------|------|----------|-----------|-------------------------------|--|---------------------|------------|--------------|
| | | | Date | 29-Jan-22 | . ANΤΛΙΟΣΤΑΣΙΟ ΛΥΜΑΤΩΝ (ΤΣΕ1) | . Terminal line-up diagram =AP1+Schematic-X5 | = AP1 + Terminal | DREAM TEAM | Page 6 |
| | | | Ed | Dell | | | | | |
| | | | Appr | | | | | | |
| Modification | Date | Name | Original | | Replacement of | Replaced by | | | Page 37 / 42 |

/17.1
=

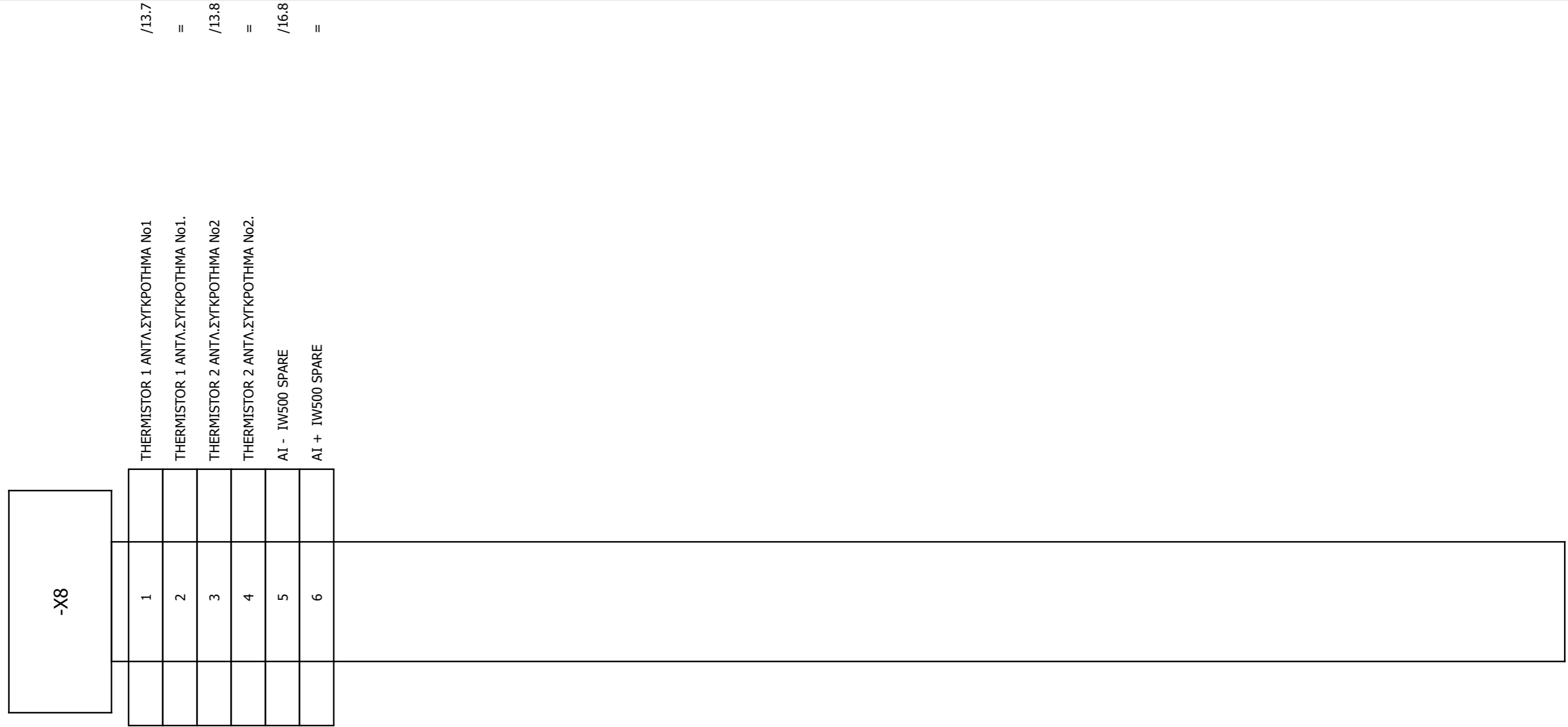


| | | | | | | | |
|--------------|------|------|----------|-----------|----------------|--|---------------------|
| | | | Date | 29-Jan-22 | . . | Terminal line-up diagram =AP1+Schematic-X6 | = AP1 + Terminal |
| | | | Ed | Dell | | | |
| | | | Appr | | | | |
| Modification | Date | Name | Original | | Replacement of | Replaced by | DREAM TEAM |
| | | | | | | | Page 38 / 42 |

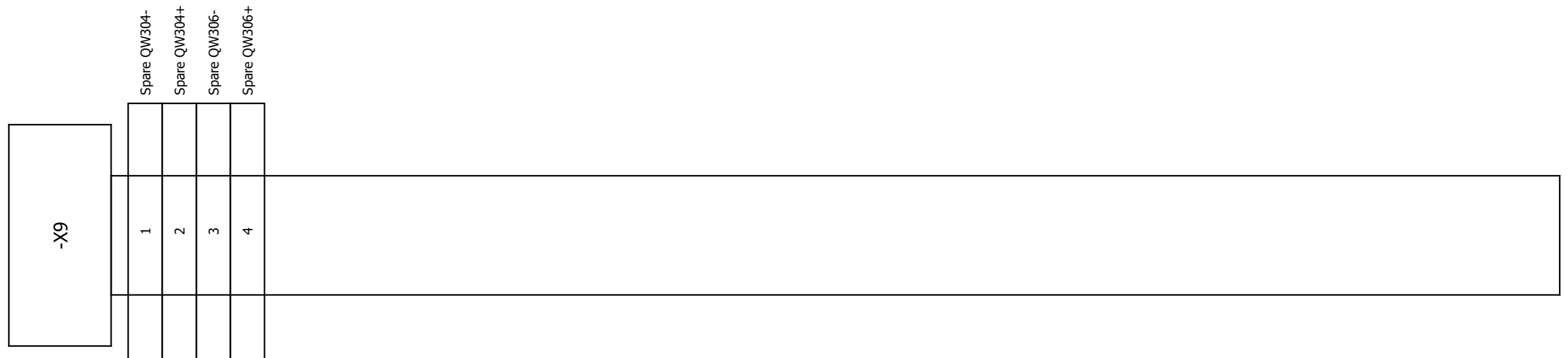
/17.2 = /17.3 = = /17.4 = =



| | | | | | | | | | |
|--------------|------|------|----------|-----------|-------------------------------|--|---------------------|------------|--------------|
| | | | Date | 29-Jan-22 | . ANΤΑΙΟΣΤΑΣΙΟ ΛΥΜΑΤΩΝ (ΤΣΕ1) | . Terminal line-up diagram =AP1+Schematic-X7 | = AP1 + Terminal | DREAM TEAM | Page 8 |
| | | | Ed | Dell | | | | | |
| | | | Appr | | | | | | |
| Modification | Date | Name | Original | | Replacement of | Replaced by | | | Page 39 / 42 |



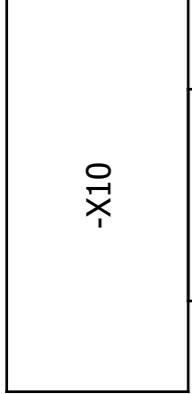
| | | | | | | | | | |
|--------------|------|------|----------|-----------|-------------------------------|--|---------------------|------------|--------------|
| | | | Date | 29-Jan-22 | . ANΤΑΙΟΣΤΑΣΙΟ ΛΥΜΑΤΩΝ (ΤΣΕ1) | . Terminal line-up diagram =AP1+Schematic-X8 | = AP1 + Terminal | DREAM TEAM | Page 9 |
| | | | Ed | Dell | | | | | |
| | | | Appr | | | | | | |
| Modification | Date | Name | Original | | Replacement of | Replaced by | | | Page 40 / 42 |



/19.3
/19.4
||
||

| | | | | | | | | | | |
|--------------|------|------|----------|-----------|-------------------------------|--|---------------------|------------|------|---------|
| | | | Date | 29-Jan-22 | . ANΤΛΙΟΣΤΑΣΙΟ ΛΥΜΑΤΩΝ (ΤΣΕ1) | . Terminal line-up diagram =AP1+Schematic-X9 | = AP1 + Terminal | DREAM TEAM | Page | 10 |
| | | | Ed | Dell | | | | | Page | 41 / 42 |
| | | | Appr | | | | | | | |
| Modification | Date | Name | Original | | Replacement of | Replaced by | | | | |

/20.2 = /20.3 =



| | |
|---|-------------------------------------|
| 1 | +24VDC προς Αισθητήριο στάθμης |
| 2 | 0VDC προς Αισθητήριο στάθμης Εξόδου |
| 3 | Αισθητήριο στάθμης mA+ |
| 4 | Αισθητήριο στάθμης mA- |



| | | | | | | | |
|--------------|------|------|----------|-----------|----------------|---|---------------------|
| | | | Date | 29-Jan-22 | . . | Terminal line-up diagram =AP1+Schematic-X10 | = AP1 + Terminal |
| | | | Ed | Dell | | | |
| | | | Appr | | | | |
| Modification | Date | Name | Original | | Replacement of | Replaced by | DREAM TEAM |
| | | | | | | | Page 11 |
| | | | | | | | Page 42 / 42 |